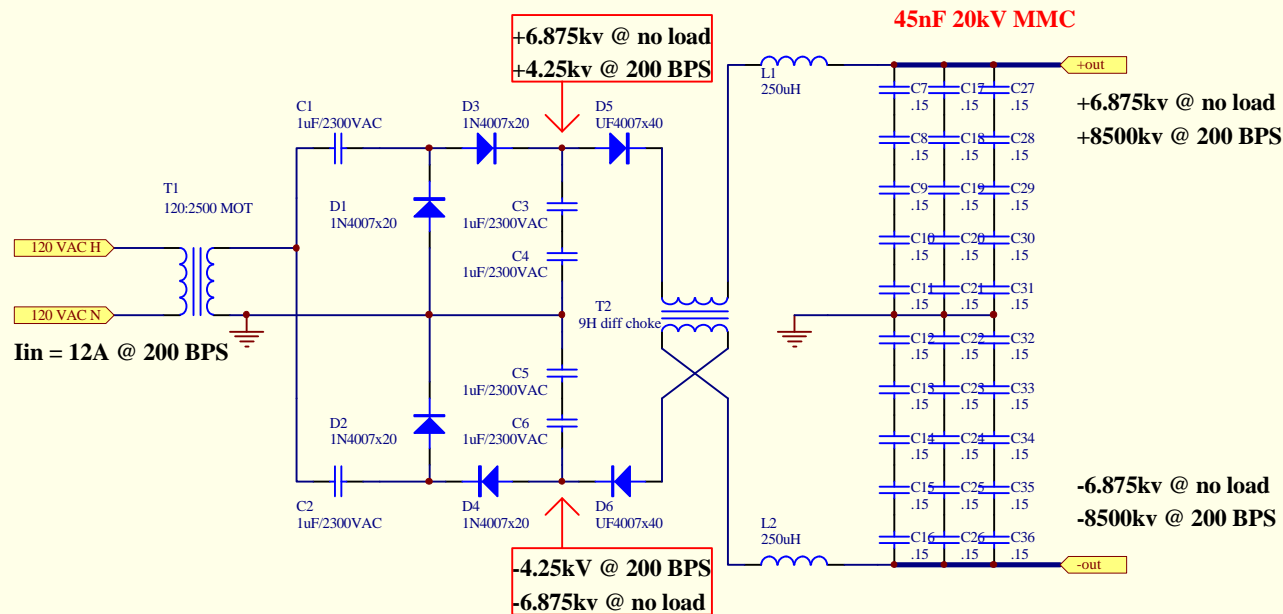


Single MOT 17kV Tesla Coil Power Supply



Notes:

EVERY capacitor is shunted by 2 10M 1/2W resistors in series.

D1-D4 are each strings of 20 1N4007 in series

D5,D7 are each strings of 40 General Semiconductor UF4007 in series (75ns fast efficient)

L1,L2 are 75 turns of #30 close wound on 1.25" OD PVC pipe

C1-C6 are General Electric MWO capacitors

C7-C36 are 'Geek Group' .15µF/2000v CDE caps

BPSmax as designed is 500.176

Peak charging current through T2 is 601mA

dB 2002.09.15