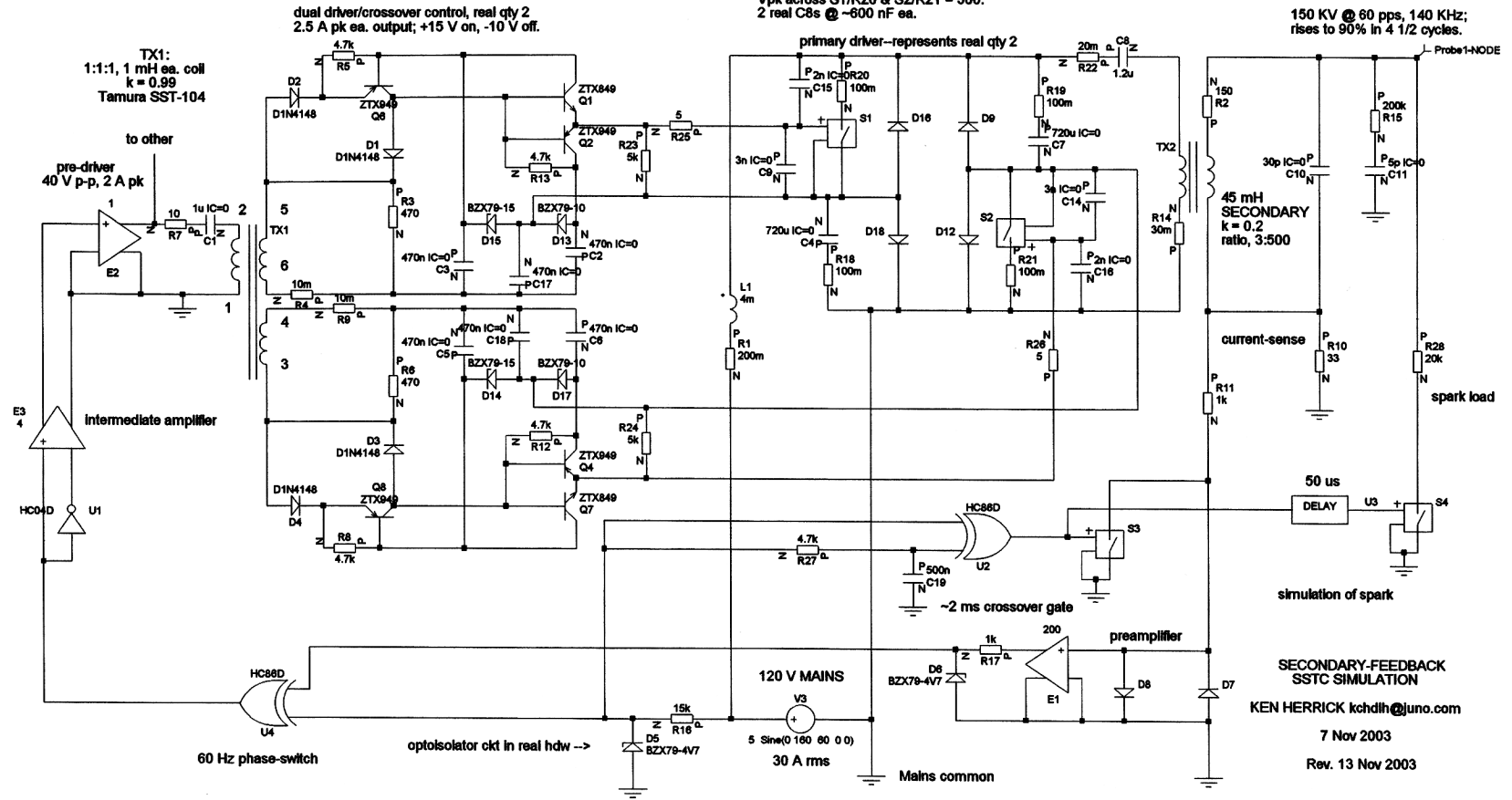


m-ohm resistances represent ESRs.
 S1/R20, S2/R21 & input capacitors ea. represent 2 MOSFETs or 2 IGBTs parallelly.
 C4 & C7 resonantly charge, with L1, to ~270 V every 1/60 sec. thru D12 & D16.
 1 kV peak across C8/R22 & TX2/R14.
 800 A pk thru S1, S2; 83 A rms.
 Vpk across S1/R20 & S2/R21 = 500.
 2 real C8s @ ~600 nF ea.

150 KV @ 60 pps, 140 KHZ;
 rises to 90% in 4 1/2 cycles.



SECONDARY-FEEDBACK
 SSTC SIMULATION
 KEN HERRICK kchdh@uno.com
 7 Nov 2003
 Rev. 13 Nov 2003