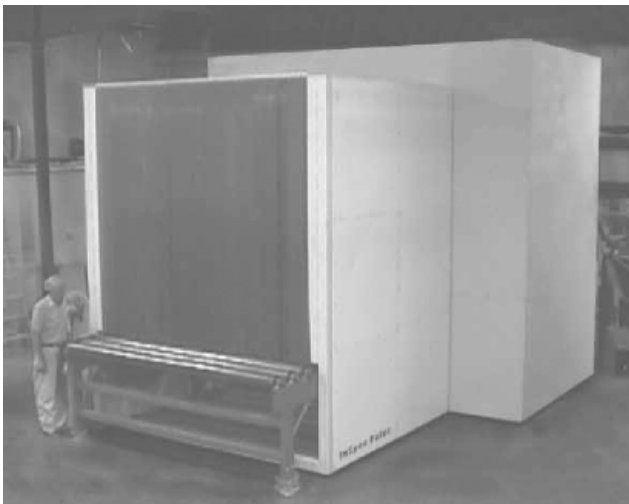
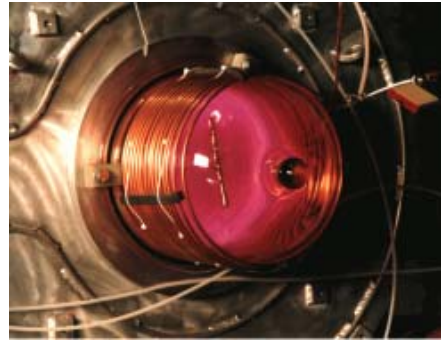




Innovation in High Voltage



Electron Beam and X-Ray Systems



Plasma Materials Modification



High Voltage Measurement



High Voltage Pulse Generation

The use of electricity has powered technical advances for over 100 years. The control of high voltage has been key to many of the most significant advances ranging from the radio and laser to the integrated circuit. North Star Research is on the forefront of research and manufacturing in high voltage in areas ranging from tougher materials for dies and molds (Plasma Implantation) to advanced X-ray systems (Nested Generator Electron Beam) to advanced microwave and laser systems (Pulse Generators). Industries which are critically dependent on high voltage include the semiconductor industry, the medical industry, broadcasting, and the materials fabrication industry.

As the pace of change accelerates, high voltage systems which formerly used vacuum tubes must be converted to modern solid state devices. High voltage systems which formerly used greenhouse gases must be converted to acceptable alternatives. Costs must drop and processing speeds must rise, reliability must increase and flexibility of control must increase dramatically. These are our challenges. Innovation is the key to meeting these challenges.

At North Star Research Corporation, we have developed new technologies which have improved the application of high voltage worldwide. Our plasma implantation technology is both cost effective and reliable, and it is widely used. Our Nested High Voltage Accelerator technology provides cost effective high voltage in a reasonable package for a variety of accelerator applications. Our high voltage probes are a world leading product which combine an advanced design with a reasonable price. A variety of custom systems are also provided to meet our customer's needs.

The company is located in Albuquerque, New Mexico in an area with an extensive high voltage industry base. Please contact us with your high voltage requirements

Plasma Materials Modification and Implantation

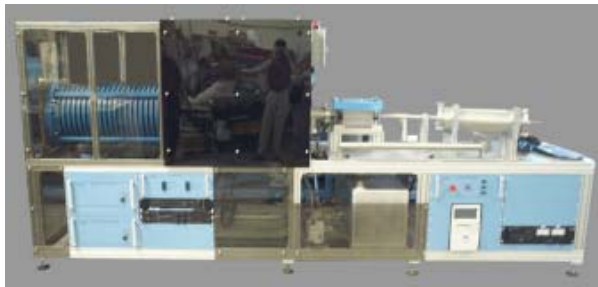
Dr Richard Adler, President of North Star Research, performed the first plasma implantation experiments in 1981. Since the founding of the company we have been active in plasma and metal arc implantation. In 1996, North Star built the first equipment for commercial plasma implantation at Empire Hard Chrome. North Star is a leader in the use of advanced power systems for implantation. North Star's pulse generators are suited for use in plasma implantation and in the creation of advanced coatings such as Diamond Like Coatings (DLC). A variety of products are available from North Star for materials modification including:



Piston in the Empire Hard Chrome Chamber

Pulsed RF Ion Sources for Large Area Deposition
Pulsed Metal Ion Sources for Deposition and Implantation
High Voltage Feedthroughs

High Voltage Accelerators



500 kV Ion Accelerator

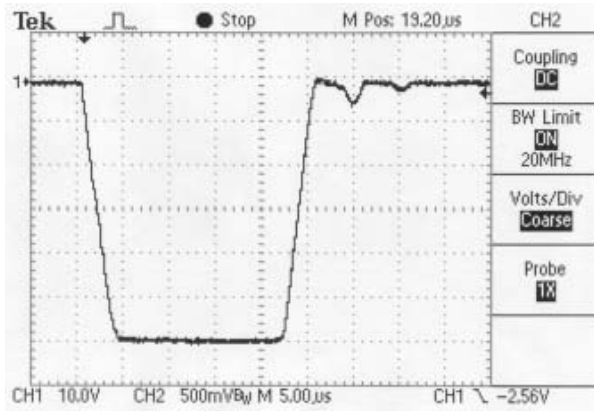
North Star's DC high voltage accelerators are designed for a variety of applications in the range from 100 kV - 3 MeV at currents ranging from 10 microamperes to 50 milliamperes. The accelerators are revolutionary in design, as they produce DC voltage reliably with a combination of oil and plastic insulation. The power required to produce voltage is dramatically lower than with other technologies, and the low beam

energy spread makes a variety of beam manipulations such as scanning and moving the beam from place to place convenient. The cost of these units is generally dramatically lower than competing technology.

The accelerator consists of several components - the high voltage power supply, the electron or ion source, the control system, the vacuum system, the vacuum insulator stack, and the support equipment. These are integrated in a compact packages suited for either electron or ion beam acceleration. Computer controls make operation and monitoring of the accelerators simple and straightforward.

Applications of this technology include in-line sterilization, X-ray generation, ion implantation, radioisotope production, plastics' processing, and surface analysis.

Pulse Generators



60 kV, 60 A Pulse

Pulse generators have applications in microwave research, electron beam technology, materials modification, powder creation, and a variety of other technical fields. North Star has used innovative transformer designs and low inductance techniques to create rugged, reliable pulse generators. Units with average powers ranging from 100 W to 500 kW, and with voltages ranging from 1 kV to 500 kV have been built. Arc protection is standard in most units, and manual or computer controls can be provided. Pulse generators are an integral part of our materials' modification equipment.

High Voltage Probes

High voltage measurement is a unique discipline which must take into account a variety of physical effects including dielectric breakdown, stray capacitance, inductance, and the voltage coefficient of resistance. Our probes have set the standard for frequency response, and performance without compromise.

Contact us with your requirements:

North Star Research Corporation
4421 McLeod, NE, Ste. A,
Albuquerque, NM, 87109
1 (505) 888-4908 Phone
1 (505) 888-0072 FAX
www.northstar-research.com
Radler2@Compuserve.com



Megavolt High Voltage Probe

Represented by :

PPM (United Kingdom)	+44 (0)1793 784389	Fax: +44 (0)1793 784391
Pulse MC ² (France)	+33 1 60 86 21 26	Fax: +33 1 64 97 54 98
Ji-Sung International (Korea)	+82 2 782 3667	Fax: +82 31 317 3669
Kurita Co. (Japan)	+81 774 88 4811	Fax: +81 774 88 4279

PULSE POWER FORMULARY

Richard J. Adler

North Star Research Corporation

August, 1989 and March, 2001

Revised, August, 1991, June, 2002

Contributors:

I.D. Smith, Pulse Sciences, Inc.
R.C. Noggle, Rockwell Power Systems
G.F. Kiuttu, Mission Research Corporation

Supported by

The Air Force Office of Scientific Research
and
North Star Research Corporation

Introduction

The purpose of this document is to serve the user of pulse power in the variety of tasks which he or she faces. It is intended to be used as a memory aid by the experienced pulse power engineer, and as a record of pulse power facts for those with less experience in the field, or for those who encounter pulse power only through their applications. A great deal of pulse power work involves the evaluation of distinct approaches to a problem, and a guide such as this one is intended to help speed the calculations required to choose a design approach.

In the formulary, we strived to include formulae which are 'laws of nature' such as the circuit equations, or well established conventions such as the color code. We have purposely avoided listing the properties of commercial devices or materials except where they may be regarded as generic. This has been done so that the formulary will not become obsolete too quickly. The formulas have intentionally been left in their original form, so that the use of the formulary tends to reinforce one's natural memory.

We hope to expand this document, particularly by adding new applications areas. A section on prime power systems would also be desirable. Any suggestions on formulas which have been omitted or misprinted would be appreciated.

The author would also like to thank W. Dungan and B. Smith of the US Air Force, W. Miera of Rockwell Power Systems, and J. Bayless and P. Spence of Pulse Sciences, Inc. for encouragement over the course of this and previous formula compilation efforts.

Finally, we note that few written works are without error, and that even correct information can be misinterpreted. North Star Research Corporation and the US Air Force take no responsibility for any use of the information included in this document, and advise the reader to consult the appropriate references and experts in any pulse power venture.

This work was supported by the US Air Force Office of Scientific Research under contract F49620-89-C-0005.

NOTE: EXPONENTS ARE PLACED IN BRACKETS AT THE END OF A NUMBER

EXAMPLE: $2.5(7) = 2.5 \times 10^7$

1.0	FUNDAMENTAL CONSTANTS	5
2.0	DIMENSIONS AND UNITS	6
2.1	MKS-CGS-English Mechanical Unit Conversions	7
2.2	Color Code	7
3.0	CIRCUIT EQUATIONS	8
3.1	Model Circuit Results	8
3.1.1	LRC Circuit with Capacitor Charged Initially	8
3.2	Marx Generators	10
3.3	Capacitor Charging Circuits	12
3.3.1	Resistive Capacitor Charging, Constant Voltage Power Supply	12
3.3.2	Resonant Charging	13
3.4	Energies and Energy Densities	13
3.5	Transformer Based Application Circuits	14
3.5.1	Transformer Equivalent Circuit	14
3.5.2	Generalized Capacitor Charging	15
3.6	Magnetic Switching	16
4.0	TRANSMISSION LINES AND PULSE FORMING NETWORKS	17
4.1	Discrete Pulse Forming Networks	17
4.2	Transmission Line Pulse Generators	18
5.0	ELECTRICITY AND MAGNETISM	19
5.1	Transmission Line Relationships-General as Applied to Pulse Generation	19
5.2	Skin Depth and Resistivity	20
5.3	Field Enhancement Functions in Various Geometries	21
6.0	MATERIALS PROPERTIES	23
6.1	Solid Dielectric Properties	23
6.2	Gas Properties	24
6.3	Liquid Breakdown	25
6.4	Vacuum Insulation and Surface Flashover	26
6.5	Conductor Properties	27
6.5.1	Wire Data--Standard Sizes of Copper Wire	28
6.6	Components	29
6.6.1	Capacitors	29
6.6.2	Resistors	30
6.6.3	Thermal Conductivities	31
7.0	APPLICATIONS AND SUPPORT EQUIPMENT	32

7.1	Intense Electron and Ion Beam Physics	32
7.2	Electron Beam/Matter Interaction	35
7.3	High Power Microwaves	36
7.4	Railguns	37
7.5	Vacuum Systems	38
8.0	DIAGNOSTICS	40
8.1	Sensitivity of an Unintegrated Square Current Loop	40
8.2	Rogowski Coil	40
8.3	Current Transformer	41
8.4	Attenuators	41
9.0	MECHANICAL DATA	42
9.1	Coarse Screw Threads	42
9.2	Fine Threads	43
9.3	Deflection of Beams	44
10.0	REFERENCES	45

1.0 FUNDAMENTAL CONSTANTS

Nomenclature: note that numbers in brackets are base 10 exponents

Example: $1.26 \times 10^{-6} = 1.26(-6)$

SYMBOL	NAME	VALUE-MKS(exp)	VALUE-CGS(exp)
c	Speed of light	2.9979(8)m/s	2.9979(10)cm/s
e	Electron charge	1.6022(-19)C	4.803(-10)esu
ϵ_0	Free Space Permittivity	8.8541(-12)F/m	1
μ_0	Free Space Permeability	1.2566(-6)H/m	1
h	Planck's Constant	6.6261(-34)J-S	6.6261(-27)erg-s
m_e	Electron mass	9.1094(-31)kg	9.1094(-28)g
m_p	Proton mass	1.6726(-27)kg	1.6726(-24)g
amu	Atomic mass unit	1.6605(-27)kg	1.6605(-24)g
e/m_e	Electron charge/mass	1.7588(11)C/kg	5.2728(17)esu/g
m_p/m_e	p/e mass ratio	1.8362(3)	-----
k	Boltzman constant	1.3807(-23)J/K	1.3807(-16)erg/K
N_B	Avogadro constant	6.0221(23)mol ⁻¹	-----
S	Stefan-Boltzman constant	5.671(-8)W/m ² K ⁴	5.671(-5)
n_0	Loschmidt constant	2.6868(25)m ⁻³	2.6868(19)cm ⁻³
atm	Standard Atmosphere	1.0132(5)Pa	1.0125(6)erg/cm ³
g	Gravitational Const.	9.8067Kg/m/s ²	9.8067(5)gcm/s ²

Units:

m=meter	cm=centimeter	s=second	q =coulomb=Amp-s
esu=electrostatic unit	F=Farad	H=henry	J=Joule=kg-m ² /s ²
kg=kilogram	g=gram	erg=g-cm ² /s ²	
K=degree Kelvin	Pa=Pascals=Kg/ms ²		

Energy Equivalence Factors

$$1 \text{ kg} = 5.61(29) \text{ MeV} \quad 1 \text{ amu} = 931.5 \text{ MeV} \quad 1 \text{ eV} = 1.602(-19) \text{ J}$$

$$I \text{ (m)} = 1.2399(-6)/W(\text{eV}) \quad W = \text{Photon Energy and } I \text{ is the wavelength}$$

2.0 DIMENSIONS AND UNITS

In order to convert a number in MKS units into Gaussian units, multiply the MKS number by the Gaussian conversion listed. The number 3 is related to c and for accurate work is taken to be 2.9979. In this work numbers in parentheses are base 10 exponents.

Physical Quantity	Sym- bol	Dimensions SI(MKS)	Dimensions Gaussian	SI Units	Gaussian Conversion	Units
Capacitance	C	$t^2q^2/m / ^2$	l	farad	9(11)	cm
Charge	q	q	$m^{1/2} / ^{3/2}t$	coulomb	3(9)	statcoul.
Conductivity	S	$tq^2/m / ^3$	$1/t$	siemens/m	9(9) sec ⁻¹	
Current	I	q/t	$m^{1/2} / ^{3/2}t^2$	ampere	3(9)	statamps
Density	r	$m / ^3$	$m / ^3$	kg/m ³	1(-3)	gm./cm ³
Displacement	D	$q / ^2$	$m^{1/2} / ^{1/2}t$	coul./m ²	12p(5)	stat-coul./cm ²
Electric field	E	$m / ^2tq$	$m^{1/2} / ^{1/2}t$	volt/m	(1/3)(-4)	statvolt/cm
Energy	U,W	$m / ^2t^2$	$m / ^2t^2$	joule	1(7)	erg
Energy density	w,e	$m / ^2t^2$	$m / ^2t^2$	joule/m ³	10	erg/cm ³
Force	F	$m / ^2t^2$	$m / ^2t^2$	newton	1(5)	dyne
Frequency	f	t^{-1}	t^{-1}	hertz	1	hertz
Impedance	Z	$m / ^2tq^2$	t / l	ohm	(1/9)(-11)	sec/cm
Inductance	L	$m / ^2q^2$	t^2 / l	henry	(1/9)(-11)	sec ² /cm
Length	l	l	l	meter(m)	1(2)	cm
Magnetic intens.	H	q / l t	$m^{1/2} / ^{1/2}t$	amp-trn/m	4p(-3)	oersted
Magnetic induct.	B	m/tq	$m^{1/2} / ^{1/2}t$	tesla	1(4)	gauss
Magnetization	M	q / l t	$m^{1/2} / ^{1/2}t$	amp-trn/m	1(-3)	oersted
Mass	m,M	m	m	kilogram	1(3)	gram(g)
Momentum	p,P	m / l t	m / l t	kg-m/sec	1(5)	g-cm/sec
Permeability	m	$m / ^2q^2$	1	henry/m	1/4p(7)	-
Permittivity	e	$t^2q^2/m / ^3$	1	farad/m	36p(9)	-
Potential	V,F	$m / ^2t^2q$	$m^{1/2} / ^{1/2}t$	volt	(1/3)(-2)	statvolt
Power	P	$m / ^2t^3$	$m / ^2t^3$	watt	1(7)	erg/sec
Pressure	p	$m / ^2t^2$	$m / ^2t^2$	pascal	10	dyne/cm ²
Resistivity	r	$m / ^3tq^2$	t	ohm-m	(1/9)(-9)	sec
Temperature	T	K	K	Kelvin	1	Kelvin
Thermal cond	k	$m / ^3t^3K$	$m / ^3t^3K$	watt/m-K	1(5)	erg/cm-sec-K
Time	t	t	t	sec.	1	sec.
Vector pot.	A	$m / ^2tq$	$m^{1/2} / ^{1/2}t$	weber/m	1(6)	gauss-cm

2.1 MKS-CGS-English Mechanical Unit Conversions

Multiply English value by "Conversion" to obtain value in MKS units.

Quantity	MKS(SI)	English	Conversion
Length	m	foot (ft)	0.305 m/ft
Mass	kg	slug	14.593 kg/slug
Time	sec	sec	
Linear velocity	m/sec	ft/sec	0.305 m/ft
Angular velocity	rad/sec	rad/sec	
Linear momentum	kg-m/sec	slug-ft/sec	0.00430
Linear acceleration	m/sec ²	ft./sec ²	0.305
Angular acceleration	rad/sec ²	rad/sec ²	
Force	Newton	pound (lb)	4.4481 nt/lb
Work	Nt-m	ft-lb	1.356 Nt /lb-ft
Energy	Joule	ft-lb	1.356 J/ft
Power	watt	horsepower	747 W/hp
Weight	Kilogram	lb.	0.4536

2.2 Color Code

Color	Number or Tolerance (%)	Multiplier
Black	0	1
Brown	1	10
Red	2	100
Orange	3	1000
Yellow	4	10,000
Green	5	100,000
Blue	6	1,000,000
Violet	7	10,000,000
Gray	8	100,000,000
White	9	1,000,000,000
Silver	5%	0.01
Gold	10%	0.1

Resistors:

First band = first digit;

Second band = second digit

Third band = multiplier (or number of zeroes);

Fourth band = tolerance

3.0 CIRCUIT EQUATIONS

3.1 Model Circuit Results

3.1.1 LRC Circuit with Capacitor Charged Initially

This is the basic pulse power energy transfer stage, and so is solved in detail. An important limit is the LRC circuit with a single charged capacitor, and that circuit is the C_2 goes to infinity limit of the 2 capacitor circuit.

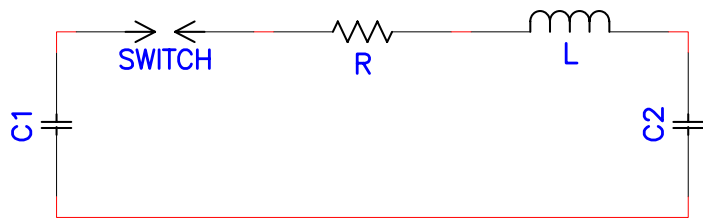
$$t = L/R$$

$$C = C_1 C_2 / (C_1 + C_2)$$

$$\omega_o^2 = 1/LC$$

$$\omega^2 = \text{ABS}(1/LC - 1/(2t)^2)$$

$$V_o = \text{initial } C_1 \text{ voltage}$$



1) Oscillatory Case

$$R^2 < 4L/C \text{ (underdamped)}$$

$$I = (V_o/\omega L)\exp(-t/2t)\sin\omega t$$

$$I(\text{maximum}) \simeq V_o/((L/C)^{1/2} + 0.8R)$$

$$V(C_2) = \text{'output voltage'}$$

$$= [V_o C_1 / (C_1 + C_2)] \{1 - \exp(-t/2t)\cos\omega t + (1/2\omega t)\exp(-t/2t)\sin\omega t\}$$

$$V(C_1) = V_o C_1 / (C_1 + C_2) + V_o C_2 \exp(-t/2t) (\cos\omega t + (1/2\omega t)\sin\omega t) / (C_1 + C_2)$$

$$V(C_2 \text{ maximum}) = [V_o C_1 / (C_1 + C_2)] \{1 + \exp(-p/2\omega t)\}$$

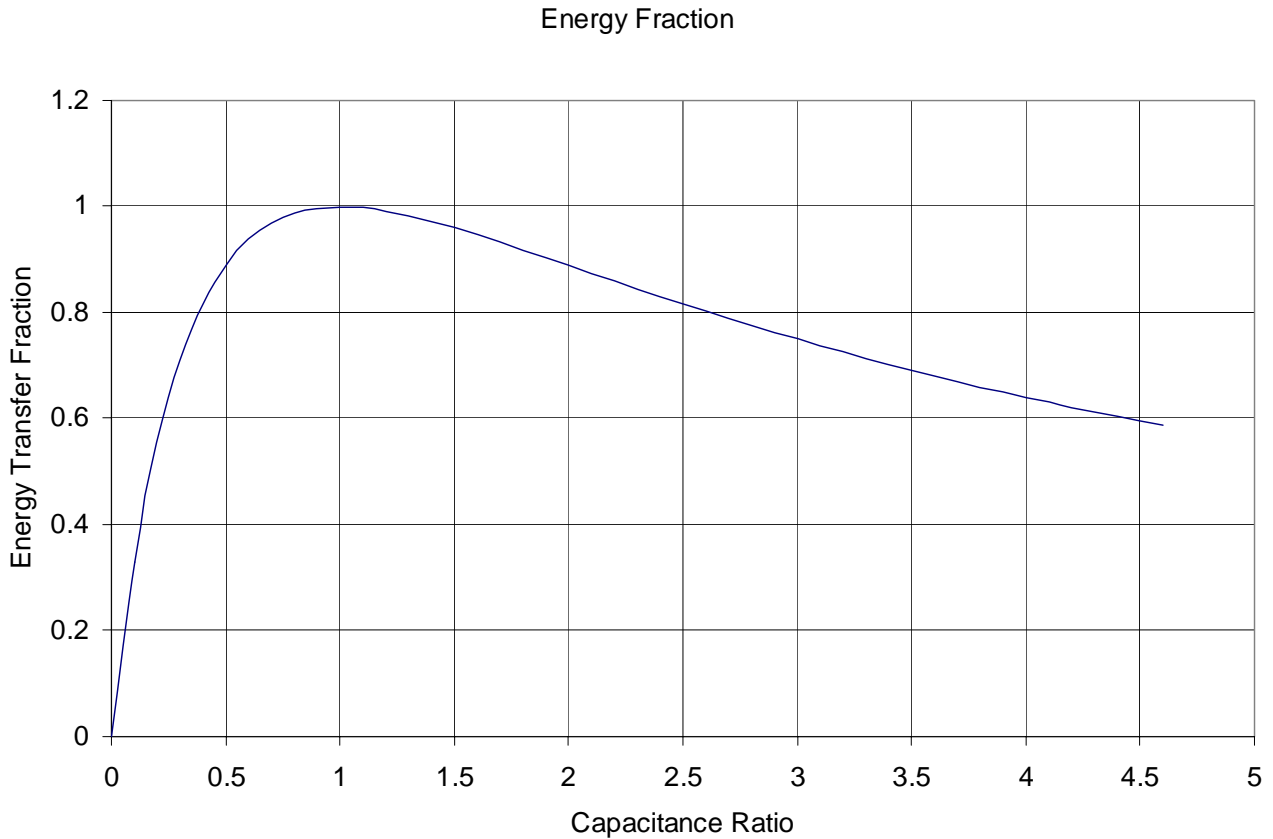
$$V(C_1 \text{ minimum}) = [V_o / (C_1 + C_2)] \{C_1 - C_2 \exp(p/2\omega t)\}$$

$$Q = (L/C)^{1/2}/R = \text{Circuit Quality Factor}$$

2) Energy transfer to C_2 as a fraction of original C_1 energy h

$$h = [4C_1 C_2 / (C_1 + C_2)^2] \{1 - \exp(p/2\omega t)\}^2$$

Efficiency of lossless energy transfer from C_1 to C_2 .



3) Overdamped case

$$R^2 > 4L/C$$

$$I = \{V_o \exp(-t/2\tau) / 2Lw\} [\exp(+wt) - \exp(-wt)]$$

$$V(C_2) = (V_o / 2C_2 L w) \{ 2w/w_o^2 - \exp(-t/2\tau) [\{ \exp(-wt/(w+(1/2\tau))) \} + \{ \exp(wt)/((1/2\tau) - w) \}] \}$$

3) Shunt resistance (Underdamped) may be important in the case of water capacitors or the charge resistors in Marx generators. For the underdamped case, a resistance shunting C_2 of value R_{sh} may be included in the output voltage equation as given below:

$$V(C_2) = [V_o C_1 / (C_1 + C_2)] \{ \exp(-t/R_{sh}(C_1 + C_2)) - \exp(-(t/2\tau + t/2R_{sh}C_2)) [\cos w\tau + (1/2w\tau) \sin w\tau] \}$$

3.2 Marx Generators

3.2.1 Conventional Marx

N = Number of capacitor stages
 C_2 = Capacitance to be charged
 $L = L_{\text{switches}} + L_{\text{caps}} + L_{\text{connections}}$
 $R_s = R_{\text{switches}} + R_{\text{caps}}$
 $t = L/R_s$
 C = Capacitance of single stage
 $\omega^2 = ((NC_2 + C)/(NLCC_2) - 1/(2t)^2)$

Capacitive load = C_2

$$V(C_2 \text{ max}) = [2NV_oC/(C+NC_2)]\{1-\exp(-p/2\omega t)\}$$

Losses when charging E_i with resistance R or inductance L_c per stage for N stages:

$$E_i = N(V_o^2/R)(p/\omega)$$

$$E_i = N(V_o^2/L_c)(p/2\omega)^2 \text{ approximately, or use the data of section 3.1.1 where } C_1 = C/N.$$

Resistive load R_L , where $R_s = R_L$ plus the sum of all other series circuit resistances

$$\omega^2 = ((R_s/2L)^2 - N/(LC))$$

$$t = L/R_s$$

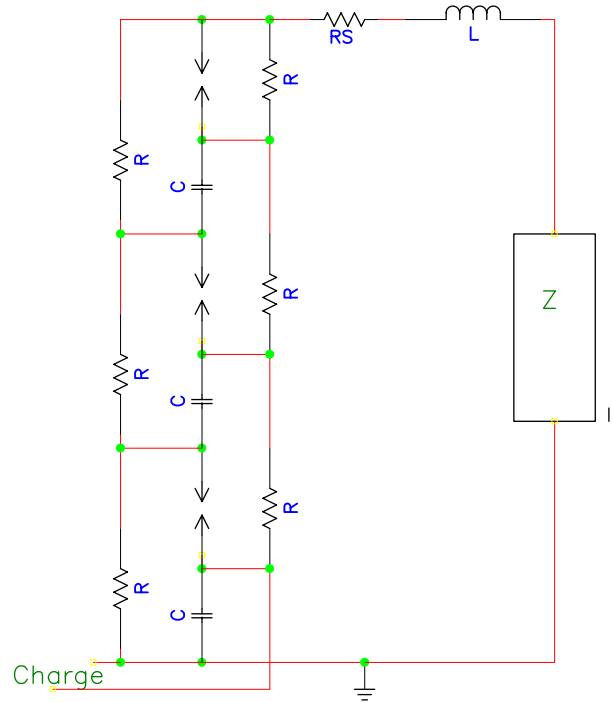
$$V_{\text{out}} = (NV_oR_L \exp(-t/2t) / 2L\omega) [\exp(+\omega t) - \exp(-\omega t)]$$

$$T_m = (1/2\omega) \ln[(1 + 2\omega t)/(1 - 2\omega t)] = \text{time at which voltage is peak}$$

Losses due to charging components for inductive and resistive charging during the discharge- specifically energy dissipation in the $2N$ charge resistors R during the pulse, or energy left in the $2N$ charge inductors L_c at the end of the pulse:

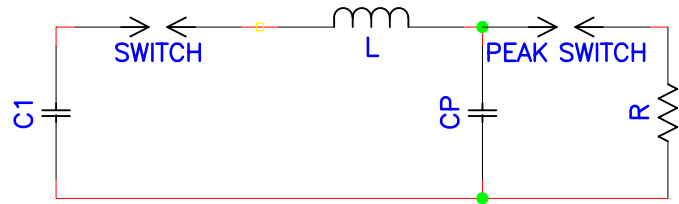
$$E_i = NV_o^2 R_s (R_s^2 C / 2L - 1) / (R [(R_s^2 / 4L) - N / C])$$

$$E_i = (V_o (R_L + R) C)^2 / NL_c$$



Peaking circuit

Peaking circuits are used in order to get fast rise times from Marx based circuits for applications such as EMP testing. In EMP testing, an exponential waveform with a very fast rise time is required. Note that source resistances are ignored in this treatment, and that these may be included by referring to the treatment of 3.1.1.



$$C_p = (L/R^2)/(1+(L/R^2C_1))$$

is the peaking capacitance required to give an exactly exponential decay through the load resistance R. The switch is arranged to fire when the current is maximum at

$$t = (LC_p C_1 / (C_1 + C_p))^{1/2} \cos^{-1}(C_p / C_1)$$

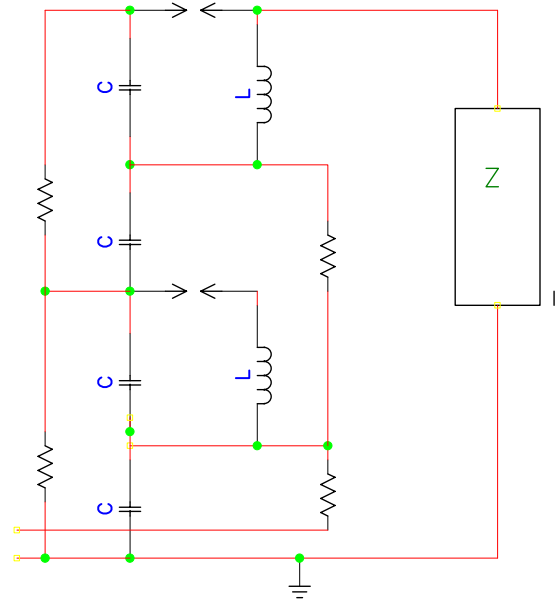
LC Marx

'Vector Inversion Type'

Open circuit voltage

$$\omega^2 = 1/LC, \quad t = L/R$$

$$V = (nV/2)(1 - \exp(-t/2t) \cos \omega t)$$



3.3 Capacitor Charging Circuits

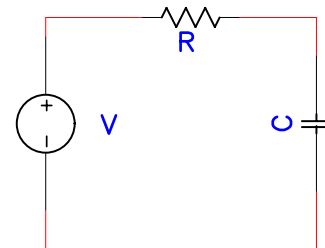
<u>TYPE</u>	<u>Application</u>	<u>Advantages</u>	<u>Disadvantages</u>
Resistive, No filter Capacitor	Low voltage, Small Caps.	Simple	Low eff. (50%)
Inductive	Pulse charging	Efficient Doubles voltage	Requires store capacitor, 1st pulse half voltage
Pulse Transformer	High voltage pulse charging	Efficient	Complex, Expensive
Resonant Pulse	High voltage pulse charging	Efficient	Complex, Capacitors undergo reversal
AC resonant	Pulse charge	Efficient	Not versatile
Switcher	All	Efficient	

3.3.1 Resistive Capacitor Charging, Constant Voltage Power Supply

R = charge resistance
 V_o = power supply voltage
 C = capacitance to be
 charged

$$V(t) = V_o (1 - e^{-t/RC})$$

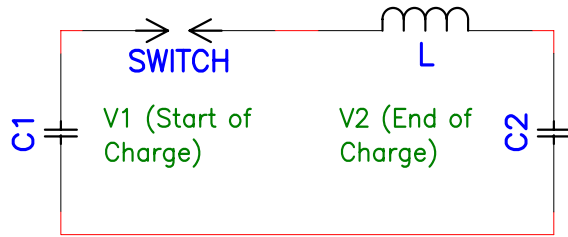
$$I(t) = V_o e^{-t/RC}$$



V/V_o (%)	t/RC
50	0.7
75	1.4
90	2.3
95	3.0
99	4.6
99.9	6.9

3.3.2 Resonant Charging

- C_1 = Storage capacitance
- C_2 = Load capacitance
- L = Charging inductance
- V_1 = Initial voltage on C_1
- $\omega^2 = (C_1 + C_2)/LC_1C_2$
- V_2 = Final voltage on C_2



$I(t) = (V_1/\omega L)\sin\omega t$, where

$V_2(t) = V_1(C_1/(C_1 + C_2)) (1 - \cos \omega t)$

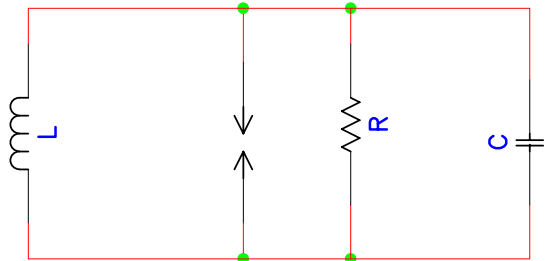
$V_{2max} = GV$, where ringing gain, $G = 2C_1/(C_1+C_2)$

also see section 3.1.1

Inductive store charging a capacitance using an opening switch

- I_0 = Initial Current
- $\omega^2 = LC - (1/4R^2C^2)$
- $t = RC$
- R = Circuit total Resistance
- C = Capacitance to be charged

$V_2(t) = (I_0/\omega C)\exp(-t/2t)\sin\omega t$



3.4 Energies and Energy Densities

Energy of a capacitor (Joules) $CV^2/2$
 C = Capacitance (F), V = Voltage (Volts) or

Energy of an inductor (Joules) $LI^2/2$
 L = Inductance (H), I = Current (Amperes)

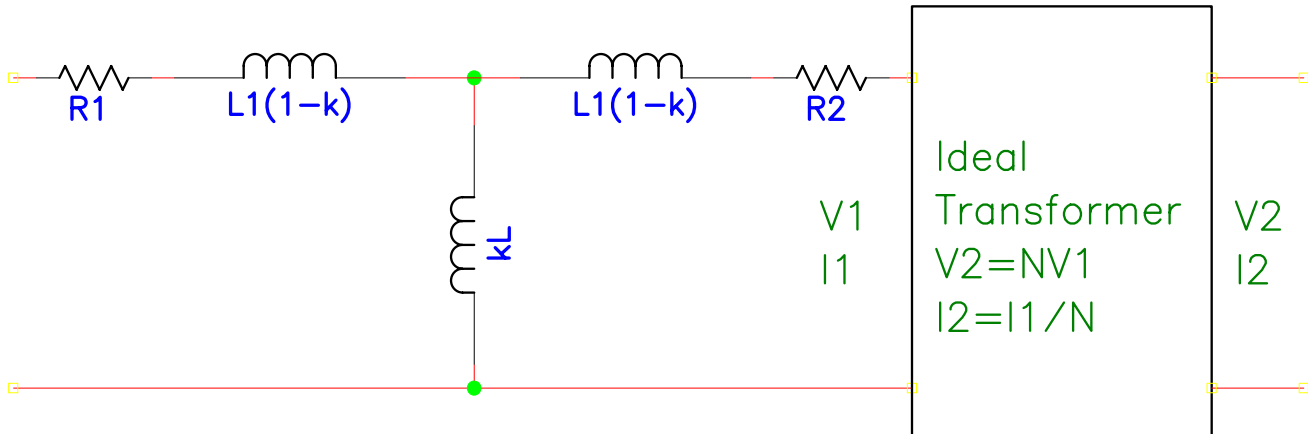
Energy formulae also give results in joules for units of mF, mH, kV, kA

Energy density of an E field (J/m^3) $eE^2/2$
 e =permittivity(F/m), E = Elect. field (V/m)

Energy density of a magnetic field (J/m^3) $mB^2/2$
 m =permeability (H/m), B =magnetic field (T)

3.5 Transformer Based Application Circuits

3.5.1 Transformer Equivalent Circuit (suggested by I.D. Smith)



A number of transformer equivalent circuits exist, and they often differ in their details. In particular, many of the circuits are unable to treat coupling coefficients much less than 1. For transformers made from sheets, the relative current distribution in the sheet must be assumed to remain fixed in time for this model to be appropriate. In making measurements of equivalent circuit parameters, frequencies used must be close to those in actual use, and the effect of stray components must be quantified. For magnetic core transformers, measurements may need to be made in actual pulsed conditions since permeability can be a strong function of magnetizing current. The calculated turns ratio should be used instead of the counted turns ratio in the calculations below.

L_1 = Primary inductance (measured with the secondary open)

L_2 = Secondary inductance (measured with the secondary open)

M_1 = Mutual inductance referred to primary side

k = Coupling coefficient

R_1 = Primary series resistance

R_2 = Secondary series resistance

The equivalent circuit parameters are measured or computed as follows. All quantities are referred to the primary side except where indicated by an asterisk:

$$N = (L_2/L_1)^{1/2}$$

$$L_2 = L_2^*/N^2$$

L_{ps} = primary inductance with the secondary shorted = primary leakage inductance

L_{ss}^* = secondary inductance the primary shorted = secondary leakage inductance

$N^2 = L_{ss}^*/L_{ps}$ is a useful consistency check

$$R_2 = R_2^*/N^2$$

$$k = (1 - L_{ps}/L_1)^{1/2} = (1 - L_{ss}^*/L_2)^{1/2}$$

$$M^* = k(L_1 L_2^*)^{1/2}$$

$$M_1 = k(L_1 L_2)^{1/2}$$

l = Magnetic path length of core = $2\pi r$ for a toroidal core

H = Magnetization of the core = $(N_1 I_1 - N_2 I_2)/l$

Energy loss due to magnetizing current = $E = [VT]^2/2kL_1$, where VT is integrated Voltage-time product.

In general, the capacitances can be ignored in the circuit model unless the circuit impedance is high. Winding resistance (including skin losses) are usually important, as are the inductances.

3.5.2 Generalized Capacitor Charging

General capacitor charging relations for arbitrary coupling coefficient, and primary and secondary capacitances. Losses are assumed to be negligible in these formulae

Voltage on charging capacitor L_2 :

$$V_2 = kV_o(\cos s_1 t - \cos s_2 t)/[(L_1 L_2)^{1/2} C_2 \{w_1^4 - 2(1-2k^2)w_1^2 w_2^2 + w_2^4\}^{1/2}]$$

$$s_1^2, s_2^2 = (1/(2-2k^2))\{w_{12} + w_{12} \pm [w_1^4 - 2(1-2k^2)w_1^2 w_2^2 + w_2^4]^{1/2}\}$$

For $w_1 = w_2 = w$

$$V_2(t) = (L_1/L_2)^{1/2} (V_o/2) [\cos(wt/(1-k)^{1/2}) - \cos wt/(1+k)^{1/2}]$$

Dual Resonance occurs for $k = 0.6$, and V_2 is maximum at $t = 4/w$.

A family of dual resonance solutions exists for lower values of k , however, these are of less practical interest

3.6 Magnetic Switching

a = inner toroid diameter (m)

b = outer toroid diameter (m)

f = charge time/discharge time

E = energy in capacitor (joules)

$dB = B_r + B_s$

B_r = field at reset (tesla)

B_s = Saturation field (tesla)

g = packing fraction of magnetic material inside windings

N = number of turns

t = charge time of the initial capacitor assuming inductively limited,
capacitor - capacitor charging (1 - coswt waveform)
= $p(LC/2)^{1/2}$ where L is the charging inductance

Minimal volume requirement for magnetic switching is that the relative magnetic permeability

$m \gg f^2$

$$U = p^3 \times 10^{-7} E f^2 Q / (dBg)^2$$

= Required switch volume (m^3) for energy transfer between two equal capacitances

Q = 1 for strip type magnetic switches, or thin annulii

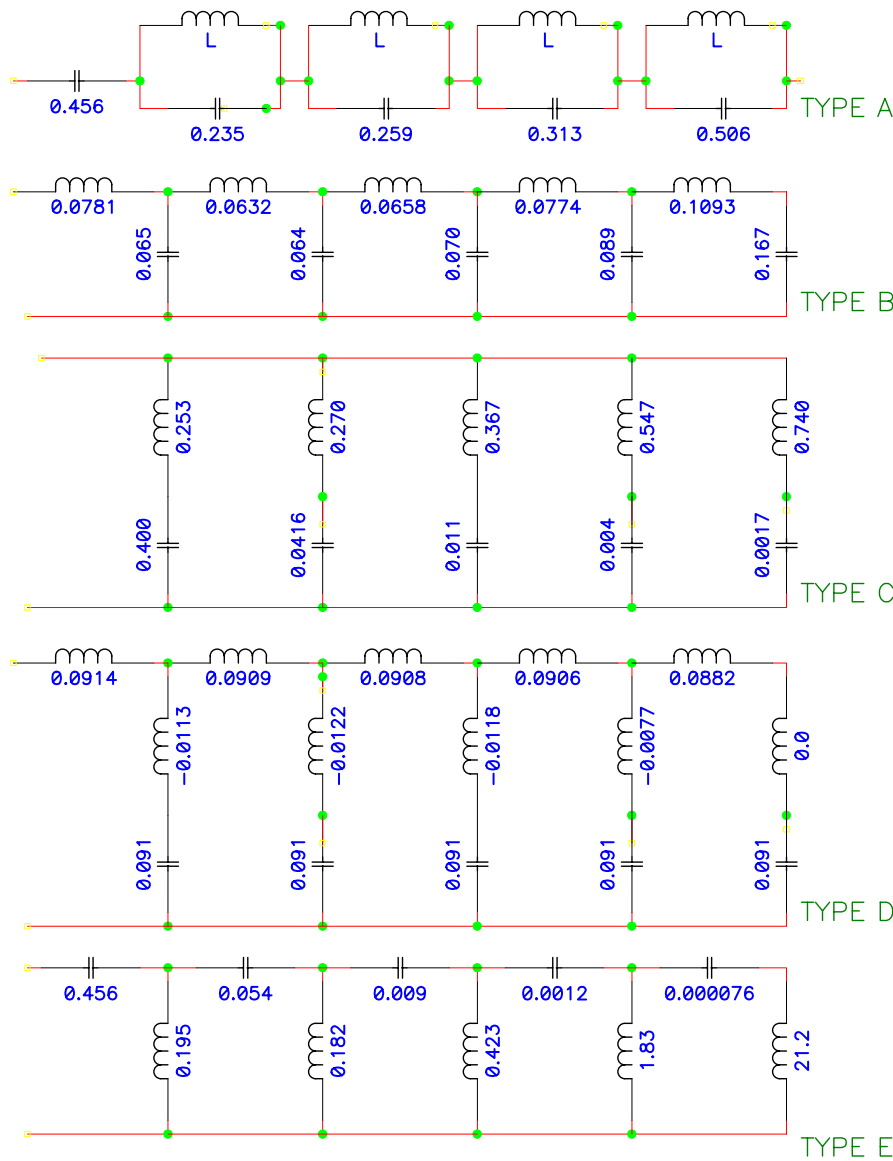
Q = $\ln(b/a)[(b+a)/2(b-a)]$ for general toroid case

$$N = pVt(b+a)/2gdBU$$

4.0 TRANSMISSION LINES AND PULSE FORMING NETWORKS

4.1 Discrete Pulse Forming Networks

A variety of pulse forming networks have been developed in order to produce output pulses with a constant, or near constant amplitude for the pulse duration. The ideal physical transmission line may be approximated by an array of equal series inductors and capacitors as shown below. The examples below are optimized 5 element networks which produce the minimum amount of pulse ripple when charged and discharged. These pulse forming networks are discussed in great detail in the work of Glasoe and Lebacz. Negative inductances are not a misprint but reflect the results of calculations.



Five section Guilleman voltage-fed networks. Multiply the printed inductance values by Zt , the capacitances by t/Z where Z is the line impedance, and t is the pulse duration. Zero mutual inductance is assumed in the calculations.

4.2 Transmission Line Pulse Generators

Ideal pulse line of impedance Z connected to a load of resistance R

V_o = open circuit voltage of the pulse line

$\tau = L/(Z + R)$

L = total inductance (switch + connections, etc.)

l = physical length of line for continuous line

$T = 2 l e^{1/2}/c$

n = cycle number

e = relative permittivity of the medium

$$I = V_o(1 - \exp(-t/\tau))/(Z + R)$$

$$V = V_o R(1 - \exp(-t/\tau))/(Z + R)$$

Rise time from .1 max V to .9 max $V = 2.2\tau$

The 'plateau' value of load voltage (ignoring rise time effects) changes at time intervals of T .
The n th amplitude (where n starts with 0) is:

$$V(t = nT + T/2) \simeq V_o R(R-Z)^n/(R + Z)^{n+1}$$

Blumlein response

Ideal Blumlein of impedance Z in each half line, with length l in each half

L = switch plus connection inductance

$\tau = L/Z$

n = cycle number

$$I_{sw} = 2V_o[1 - \exp(-t/\tau)]/Z$$

$$V = V_o R[1 - \exp(-t/\tau)]/(2Z + R)$$

$$V(t = 2nT + T/2) = V_o R(R - 2Z)^n/(R + 2Z)^{n+1}$$

$$V(t = 2nT + 3T/2) = 0$$

5.0 ELECTRICITY AND MAGNETISM

L, Inductance (Henries)

l, Length (m, meters)

$Z_0 = 377 \text{ Ohms} = \mu_0 / \epsilon_0$

c = Speed of light = 3.0(8)m/sec

C, Capacitance (Farads)

Z, Impedance (W, Ohms)

e, Rel. dielectric Const.

$t = 2/e^{1/2}/c$ = Output pulse length of a distributed line

5.1 Transmission Line Relationships-General as Applied to Pulse Generation

$$C = e^{1/2} / Zc$$

$$C = t/2Z$$

$$L = Z/e^{1/2}c$$

$$L = Z t/2$$

$$(LC)^{1/2} = l/e^{1/2}/c$$

$$t = 2(LC)^{1/2}$$

$$Z = (L/C)^{1/2}$$

Specific Common Transmission Lines

Coaxial, a=ID, b=OD, $Z = (Z_0/2\pi e^{1/2}) / \ln(b/a)$

Parallel Wires, d=wire diam, D=Wire center spacing $Z = (Z_0/\pi e^{1/2}) \cosh^{-1}(D/d)$

Wire to ground, d=wire diam, D=Wire center-ground spacing

$Z = (Z_0/2\pi e^{1/2}) \cosh^{-1}(2D/d) \sim (Z_0/2\pi e^{1/2}) / \ln(4D/d)$, for $D \gg d$

Parallel Plate, Width w, Separation d, $d < w$

$$Z \simeq Z_0 d / e^{1/2} (d + w)$$

Circuit Parameter Formulas

Coaxial Inductor, b=OD, a=ID $L = (\mu_0 / 2\pi) / \ln(b/a)$

Solenoid,

l = solenoid length (m)

r = solenoid radius (m)

n = turns per meter, $N = ln$

t = solenoid thickness (m)

z = distance between field point and one end of solenoid (m)

V = Volume of the solenoid (m^3)

Ideal solenoid, where $l \gg r$

$$L = \mu_0 n^2 / \pi r^2 = 1.26 n^2 / \pi r^2 = 4N^2 r^2 / l \text{ microhenries}$$

$$B = \text{mag. field (tesla)} = 1.26 \times 10^{-6} n l (A)$$

$$P = (B^2 r / \mu_0^2) V (2t/r) = \text{Power dissipation of an ideal DC solenoid}$$

Shorter Solenoid or near ends

$$B = (\mu_0 n l / 2) [z / (z^2 + r^2)^{1/2} + (l-z) / \{(l-z)^2 + r^2\}^{1/2}]$$

Magnetic Field of a Long Wire

r =distance from wire center(m), $B=(\mu_o/2\pi)I/r=200(I(\text{kiloamps})/r(\text{cm}))\text{gauss}$

Inductance of a Current Loop

$L = N^2(a/100)[7.353\log_{10}(16a/d)-6.386]$ microhenries

a =mean radius of ring in inches, d = diameter of winding in inches, and $a/d > 2.5$

5.2 Skin Depth and Resistivity

Skin depth d is the depth at which a continuous, tangential sinusoidal magnetic field decays to $1/e$ times the incident field.

$$w=2\pi f$$

μ =permeability of medium

r =material resistivity (W-m); $r_c = 1.7(-8)W \text{ m}(\text{copper})$

$$d=(2r/w\mu)^{1/2}=(6.61/f^{1/2})((\mu_o/\mu)(r/r_c))^{1/2}$$

Resistance per square R_{sq} is the resistance of the surface for a length equal to the width at a given frequency

l = length

w = width

$$R = R_{sq}l/w$$

$$R_{sq} = r/d=(w\mu r/2)^{1/2}$$

$$R_{sq} = 2.61(-7)f^{1/2}((\mu/\mu_o)(r/r_c))^{1/2}$$

High frequency resistance of an isolated cylindrical conductor

D = Conductor diameter in inches
 R_{ac} = Effective resistance for a CW ac wave

Note that R_{ac} is somewhat smaller for unipolar pulses than for ac.

If $Df^{1/2}(m_r r_c / r)^{1/2} > 40$:

$$R_{ac} \simeq (f^{1/2}/D)(m_r r_c / r)^{1/2} \times 10^{-6} \text{ ohms/ft.}$$

If $Df^{1/2}(m_r r_c / r)^{1/2} < 3$, then $R_{ac} \sim R_{dc}$

5.3 Field Enhancement Functions in Various Geometries

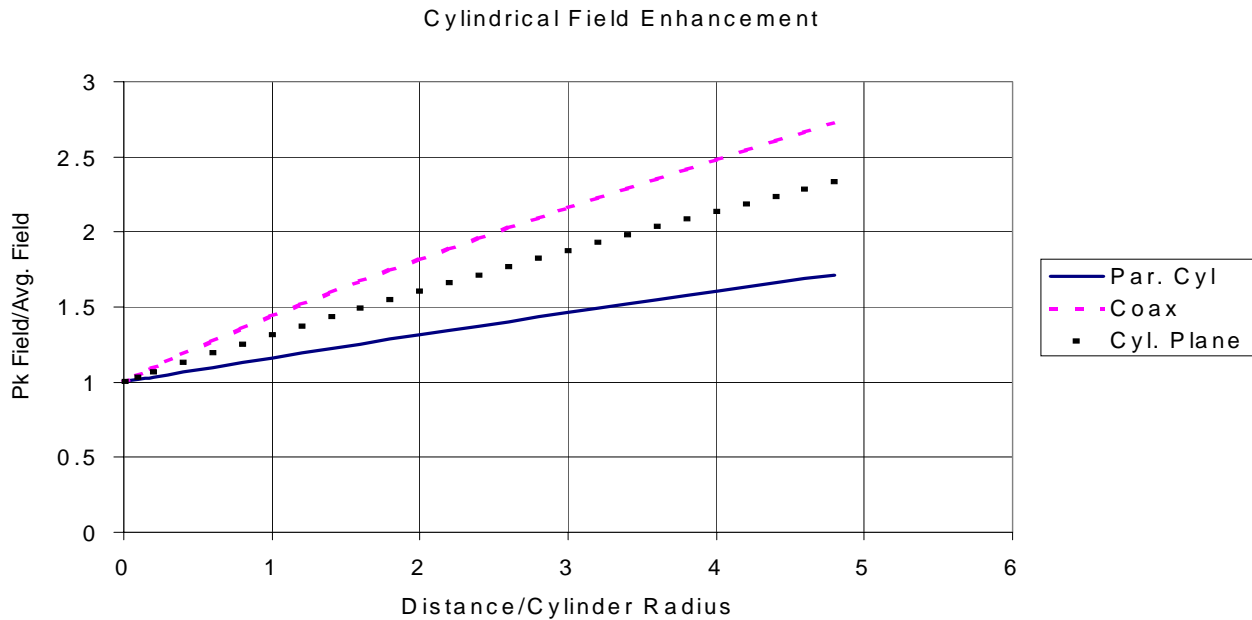
Cylindrical Geometry where X is the distance between two conductors, and r is the radius of the smaller conductor.

Maximum field strength equations for Cylindrical Geometry:

b = outer cylinder radius $E = V/(r/n(b/r))$ Concentric cylinders

$$E = V(D^2 - 4r^2) / [2r(D - 2r) \ln\{(D/2r) + ((D/2r)^2 - 1)^{1/2}\}]$$

where $D = X + 2r$ for parallel cylinders, and $D = 2X + 2r$ for a cylinder spaced X from a uniform ground plane and parallel to it.



Field enhancement factor for cylindrical configurations. Upper: coaxial line, Intermediate : conducting cylinder adjacent to a plane. Lower: two parallel conducting cylinders

Semicylinder on a plane $E_m = 2E$ where E is the applied electric field
Spherical Geometry

Maximum field strength equations for Spherical geometry.

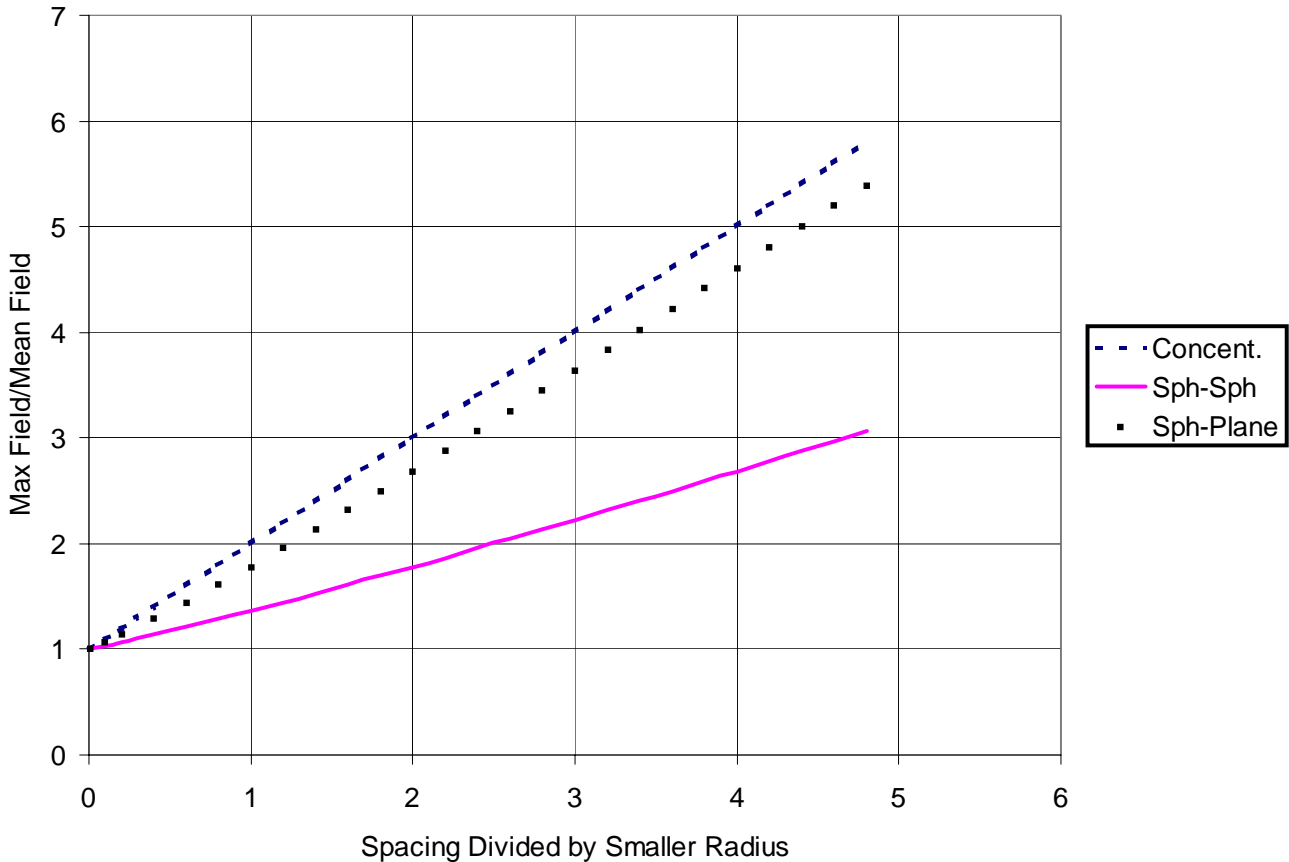
R = outer sphere radius
 r = inner sphere radius

$E = VR/r(R-r)$ Concentric spheres

$E = V[(X/r) + 1 + ((X/r) + 1)^2 + 8]^{1/2}/4X$ Equal spheres spaced X

$E = V[(2X/r) + 1 + ((2X/r) + 1)^2 + 8]^{1/2}/8X$ Sphere of radius r spaced X from a ground plane

Spherical Field Enhancement



Spherical field enhancement including concentric spheres (upper) sphere-plane (middle) and adjacent spheres (lower).

Hemisphere on a plane in a uniform field of amplitude E : $E_m = 3E$

6.0 MATERIALS PROPERTIES

The dielectric properties of gases and liquids are understood (empirically), and are presented as such. The typical values of dielectric strength for solids are an exception to this understanding. Solid breakdown depends on preparation, pulse life requirements, and the medium in which the solid is contained. The values quoted in this document for solid breakdown actually refer to long term working strength, and must be considered to be of limited value. Note that in general, the dielectric strength of all materials decreases with increasing sample thickness. ϵ is the relative permittivity below, and $\tan \delta$ is the energy loss per cycle.

6.1 Solid Dielectric Properties

Material	Diel. Const. 60 Hz.		Diel. Const. 1 MHz.		Diel. Strength* V/mil
	ϵ	$\tan \delta$	ϵ	$\tan \delta$	
Aluminum Oxide	8.80	3.3(-4)	8.80	320	320
Barium Titanate	1250	0.056	1143	0.0105	75
Soda-Borosilicate Glass	4.97	-----	4.84	3.6(-3)	400
Epoxy (Epon RN-48)	4.50	0.05	3.52	0.0142	800
Polycarbonate	3.17	0.009	2.96	0.01	400
Acrylic	4.0	0.016	2.55	0.009	400
Polyimide	3.4	0.002	3.4	0.003	570
Polyvinyl Chloride	3.20	0.0115	2.88	0.016	400
PTFE (Teflon)	2.10	<5(-4)	2.10	<2(-4)	550
Polyethylene	2.26	<2(-4)	2.26	<2(-4)	450
Polypropylene	2.55	<5(-4)	2.55	<5(-4)	650
Paper	3.30	0.010	2.99	0.038	200

*Typical DC values for .10 inch thick samples

6.2 Gas Properties

Gas breakdown, DC to approximately 1 microsecond

$$E = 24.5p + 6.7(p/R_{\text{eff}})^{1/2} \text{ kV/cm.} \quad \text{Air}$$

$R_{\text{eff}} = .115R$ for spheres, and $.23R$ for cylinders, and the gap distance for planar geometries, where p is the pressure in atmospheres

Resistive phase duration of an air arc

$$t = 88p^{1/2} / (Z^{1/3} E^{4/3}) \text{ nanoseconds}$$

where p is the pressure in atmospheres, E is the electric field in MV/m, and Z is the characteristic impedance of the circuit.

Relative electric strengths:

Relative breakdown field compared to air

Air	1.0
Nitrogen	1.0
SF ₆	2.7
Hydrogen	0.5
30% SF ₆ , 70% air (by volume)	2.0

Paschen's Law

Under most circumstances, the breakdown of gases is a function of the product of pressure (p) and gap length (d) only, where this function depends on the gas.

$$V = f(pd)$$

The breakdown strength of a gas is monotonic decreasing below a specified value of $pd = (pd)_{\text{crit}}$ and monotonic increasing above that value. The values of $(pd)_{\text{crit}}$ and the breakdown voltage at that value of pd are given below:

GAS	pd_{crit} (Torr-cm)	$V(pd_{\text{crit}})$ (Volts)
Air	0.567	327
Argon	0.90	137
Helium	4.0	156

760 Torr = 1 standard atmosphere

6.3 Liquid Breakdown

t = time that the pulse is above 63% of peak voltage (msec)

A = Stressed area (cm²)

d = gap between electrodes

E = Electric field (MV/cm)

Pulse Breakdown of Liquids

Transformer Oil

$$E_+ = .48/(t^{1/3}A^{.075}) \quad (\text{Positive Electrode})$$

$$E_- = 1.41E_+ a \quad (\text{Negative Electrode})$$

$$a = 1 + .12[E_{\max}/E_{\text{mean}} - 1]^{1/2}$$

Note: The above formulae do not apply if a DC pre-stress (> 500V/cm) is applied across the gap

Water (areas > 1000 cm²)

$$E_+ = .23/(t^{1/3}A^{.058}) \quad (\text{Positive Electrode})$$

$E < 0.10/t^{1/2}$ is a design criterion for intermediate stores at large area

$$E_- = .56/(t^{1/3}A^{.070}) \quad (\text{Negative Electrode})$$

$$a = 1 + .12[E_{\max}/E_{\text{mean}} - 1]^{1/2}$$

Resistive phase rise time of a switch

$t_r = 5r^{1/2}/Z^{1/3}E^{4/3}$ where r (g/cm³) is the density of the liquid, Z is the impedance of the circuit in ohms, and E is the electric field in MV/cm. This formula is thought to work for oil, water, and gas switches.

General comments on breakdown of transformer oil

Pulse power operation (typical) 100-400 kV/cm for pulsed operation with no DC prestress. The exact value is dependent on the oil, and field enhancements. For conservative DC operation 40 kV/inch is generally a reliable guideline. This value generally allows the user to ignore field enhancements and dirt when designing the DC system. If carbon streamers form in the oil during a pulse, these values no longer apply. Filtration and circulation are required in oil to avoid carbon build-ups. 40 kV/cm is a reliable number for careful DC design.

6.4 Vacuum Insulation and Surface Flashover

We assume in this section that the pressure is below 10^{-4} Torr, and note that variations due to the residual gas pressure are observed at pressures as low as 10^{-6} Torr.

- d = individual insulator length (cm.)
- A = insulator area (cm²)
- t = pulse duration or pulse train duration (msec)

Pulsed 45 degree acrylic insulators in vacuum

$E = 175/(t^{1/6}A^{1/10})$ kV/cm. typical for 1-2" long insulators, and more than 5 insulators

$E = 33/(t^{1/2}A^{1/10}d^{0.3})$ kV/cm for bipolar pulses

DC Flashover

Material	Electric field (kV/cm.)
Glass	$18/d^{1/2}$
Teflon	$22/d^{1/2}$
Polystyrene	$35/d^{1/2}$

Vacuum breakdown

Vacuum breakdown between parallel electrodes depends on surface preparation, pulse length electrode history, and possibly gap length, as well as material type.

We list typical values below primarily in order to give the reader an ordering of material strength. The typical voltage at which the data below is applicable is 500 kV.

Material	Pulse Breakdown (kV/cm.) 100 ns.
Aluminum	290
Graphite (Poco)	175
Lead	170
Molybdenum	460
Stainless Steel	300
Velvet cloth	20-50

A variation of breakdown strength with gap length of $d^{-0.3}$ may be inferred from some data, however this effect is more pronounced in DC high voltage breakdown.

6.5 Conductor Properties

Conductivities of Conductors

Material	Density (gm/cm ³)	Resistivity(20C) (10 ⁻⁶ ohm-cm)	Ht. Cap. (J/gmC)	Temp. Coef. (1/C)
Aluminum	2.70	2.62	.946	0.0039
Beryllium	1.85	35	1.78	0.0042
Bismuth	9.80	115	0.123	0.004
Brass (66Cu,34Zn)	8.40	3.9	0.418	0.002
Chromium	7.19	2.6	0.460	
Copper	8.96	1.72	0.418	0.0039
Graphite (typical)	2.25	1400	0.894	-0.0005
Gold	19.3	2.44	0.130	0.0034
Indium	7.31	9	0.238	0.0050
Iron	7.87	9.71	0.452	0.0057
Lead	11.34	21.9	0.126	0.004
Magnesium	1.74	4.46	1.04	0.004
Nichrome (typical)	100	-----	-----	0.00017
Nickel	8.9	6.9	0.268	0.0047
Silicon	2.4	85,000	0.736	-----
Silver	10.5	1.62	0.234	0.0038
Stainless Steel	7.90	90	-----	-----
Steel (.5%C)	7.90	13-22	0.520	0.003
Tantalum	16.6	13.1	0.151	0.003
Tin	7.3	11.4	0.226	0.0042
Titanium	4.54	47.8	0.594	-----
Tungsten	19.3	5.48	0.142	0.0045

6.5.1 Wire Data--Standard Sizes of Copper Wire

AWG B&S GAUGE	DIAM. (MILS)	OHMS PER 1000 FT	LB. PER 1000 FT
0000	460	.049	640
000	410	.062	509
00	365	.078	403
0	324	.099	318
1	289	.124	253
2	257	.157	200
3	229	.198	159
4	204	.249	126
5	182	.313	100
6	162	.395	79.4
7	144	.500	62.8
8	128	.633	49.6
9	114	.798	39.3
10	102	.997	31.5
11	90.7	1.26	24.9
12	80.8	1.59	19.8
13	72.1	1.99	15.7
14	64.1	2.52	12.4
15	57.1	3.18	9.87
16	50.8	4.02	7.81
17	45.3	5.05	6.21
18	40.3	6.39	4.92
19	35.9	8.05	3.90
20	31.2	10.7	2.95
21	28.5	12.8	2.46
22	25.4	16.1	1.95
23	22.6	20.3	1.55
24	20.1	25.7	1.22
25	17.9	32.4	.970
26	15.9	41.0	.765
27	14.2	51.4	.610
28	12.6	65.3	.480

6.6 Magnetic materials

Material	Sat. flux kG B_s	Res. Flux kG B_r	Init. perm. DC m_i	Max. perm. DC m_m	Resistivity ohm-cm r
Metglas					
2605SC	16.1	14.2	8,000	300,000	142(-6)
2605CO	18.0	16.0	5,000	250,000	160(-6)
3% Si-Fe	16.5	14-15	500	25,000	50(-6)
Permalloy	7.5	6.0	20,000	150,000	45(-6)
50% Ni-Fe	16.0		2,500	25,000	45(-6)
NiZn Ferrite					
CN20*	3.8	2.7	800	4,500	1(6)
MnZn Ferrite					
3C80**	5.0	1.6	2,000		4.8
MN80*	5.0	2.5	1,500	5,000	200

Note that the data above are applicable for low frequencies, and the performance at higher frequencies is dependent on frequency. Metal materials must be wound in thin insulated tapes for most pulse power applications. * Ceramic Magnetics ** Ferroxcube

6.6 Components

6.6.1 Capacitors

N = number of pulses to failure
 E = Electric field in application
 V_b = DC breakdown voltage
 d = dielectric thickness
 Q = circuit quality factor
 b = thickness exponent, typically less than 3
 V_r = reversal voltage

$N \propto (Ed/V_b)^{-8} d^{-b} Q^{-2.2}$ for plastic capacitors

$N \propto (Ed/V_b)^{-12} Q^{-2.2}$ for ceramic capacitors
 $V_r = 1 - p2Q$

Notes: Barium Titanate capacitors--unless specially prepared--vary in capacitance by about a factor of 2 over their range of voltage utilization

Mica capacitors have an excellent combination of dissipation factor, and low change in value under voltage and temperature stress, but only at high cost.

Paper and plastic capacitors can have significant internal inductance and resistance, and these quantities must be ascertained in any critical application. In practice it is nearly impossible to discharge any paper or plastic capacitor in less than 100 ns, and many capacitors may take much longer to discharge.

6.6.2 Resistors

General comments on performance under pulse power conditions.

Carbon composition resistors have excellent performance in voltage and power handling, but may have resistance variations with voltage of 2 -50 % depending on type, history, etc.

Metal film resistors must be specially designed for high voltage and pulse power use. The pulse energy handling capability of film resistors is generally inferior to that of bulk resistors due to the relatively small mass of the current carrying component.

Liquid resistors such as water/copper sulphate, etc, are subject to variation in resistivity with time. The preferred method for measuring the resistance of these components is with a pulsed high voltage (measuring current for a known voltage). DC measurements at low voltage can often be wrong by factors of 2 or 3.

6.6.3 Thermal Conductivities

Data from Hukseflux <http://www.hukseflux.com/thermal%20conductivity/thermal.htm> All data at 20 C

	Thermal cond W/mK	Density Kg/m ³	Heat cap 10 ⁶ J/m ³	Thermal diffusivity 10 ⁻⁸ m ² /s
Air	0.025	1.29	0.001	1938
Glycerol	0.29	1260	3.073	9
Water	0.6	1000	4.180	14
Ice	2.1	917	2.017	104
Olive oil	0.17	920	1.650	10
Gasoline	0.15	720	2.100	7
Methanol	0.21	790	2.500	8
Silicone oil	0.1	760	1.370	7
Alcohol	0.17	800	2.430	7
Aluminium	237	2700	2.376	9975
Copper	390	8960	3.494	11161
Stainless Stl.	16	7900	3.950	405
Alum. Oxide	30	3900	3.413	879
Quartz	3	2600	2.130	141
Concrete	1.28	2200	1.940	66
Marble	3	2700	2.376	126
Glass	0.93	2600	2.184	43
Pyrex 7740	1.005	2230	1.681	60
PVC	0.16	1300	1.950	8
PTFE	0.25	2200	2.200	11
Nylon 6	0.25	1140	1.938	13
Corian	1.06	1800	2.307	46
Sand (dry)	0.35	1600	1.270	28
Sand (sat.)	2.7	2100	2.640	102
Glass pearls (dry)	0.18	1800	1.140	16
Glass pearls (saturated)	0.76	2100	2.710	28
Wood	0.4	780	0.187	214
Cotton	0.03	--	0.001	--
Leather	0.14	--	0.001	59
Cork	0.07	200	0.047	150
Foam glass	0.045	120	0.092	49

7.0 APPLICATIONS AND SUPPORT EQUIPMENT

7.1 Intense Electron and Ion Beam Physics

Space charge limited electron emission current, or 'Child-Langmuir' current density

V = Voltage applied in MV

d = gap between anode and cathode in cm.

$$J_s = \text{Current density} = 2.34V^{3/2}/d^2 \text{ kA/cm}^2 \text{ for } V < .5 \text{ MV}$$

$$J_s = 2.7[(V/0.51 + 1)^{1/2} - 0.85]^2/d^2 \text{ kA/cm}^2 \text{ for } V > .5 \text{ MV}$$

Bipolar flow in an anode-cathode gap where the anode is also a source of space charge limited ions

$$J = 1.84 J_s (V < .5 \text{ MV})$$

$$J = 2.14 J_s (V > .5 \text{ MV})$$

Typical thermionic emitter data

Material	efficiency (mA/watt)	Typ. J (amps/cm ²)	Temperature (Kelvin)	hot R/cold R R = Resistance
Tungsten	5-10	.25-.7	2550	14/1
Th-W	40-100	0.5 - 3.0	2000	10/1
Tantalum	10-20	0.5-1.2	2450	6/1
Oxide	50-150	0.5-2.5	1100	-----
Dispenser	100-2000	1.0-25	1400	-----
LaB ₆	200-500	1.0-60	1970	-----

Vacuum beam propagation

Space charge limiting current

b = beam conducting drift tube diameter

a = beam outer diameter

f = ratio of ion to electron densities

g = 2 ln(b/a) for annular beams

= 1 + 2 ln(b/a) for solid beams

$\alpha = 1 + ea \delta B/mc = 1 + a\delta B/1.7$

δB = change in magnetic field (kG in numerical formula)
giving rise to rotation

$\gamma = 1 + V/0.51 = 1/(1-\beta^2)^{1/2}$ = relativistic factor

$\beta = v/c$ = normalized beam velocity

$I_0 = 4\pi mc/\mu_0 e = 17,000$ amperes

$$I < 17(\gamma^{2/3} - \alpha^{2/3})^{3/2} / (1-f)g \text{ kiloamperes}$$

Uniform beam spread curve

$$K = (2I/17\beta^2 \gamma)[1/\gamma^2 - f]$$

$$\alpha = dr/dz$$

a_0 = initial beam radius

$$r/a_0 = \exp(\alpha^2/2K)$$

Beam equilibrium condition

$$I < 0.7\beta_p B^2 a^2 \gamma \text{ kA}$$

β_p is the component of β in the direction of beam propagation, B is in kG, and a is in cm.

Magnetic field energy required to focus a beam in equilibrium (note that this may not assure stability)

k_1 = ratio of field coil radius to beam radius

k_2 = ratio of field to minimum field

k_3 = ratio of field energy inside coil radius to field energy
outside coil radius

l = length of field region (cm.)

E = Energy of magnetic field (joules)

$$E = .036ll k_1^2 k_2^2 k_3 / \beta_p \gamma$$

Beam rotation

$$\omega_c = 2\pi f_c = eB/gmc = 17B/g \text{ Ghz.} = \text{cyclotron angular frequency}$$

where B is in kG

$$r_L = bc/\omega_c = 1.7(g^2 - 1)^{1/2}/B \text{ cm.}$$

Cusp Condition

$$dB = B_{\text{initial}} - B_{\text{final}} \text{ in kilogauss}$$

$$r < 3.4 (g^2 - 1)^{1/2}/dB$$

Magnetic Insulation

$$d = \text{anode-cathode gap in cm. for planar geometry} \\ = (b^2 - a^2)/2a \text{ in cylindrical geometry (b=OD, a=ID)}$$

$$B > (1.7/d)(g^2 - 1)^{1/2} \text{ kG}$$

Self magnetic insulation

$$\text{Minimum current} = I = 8.5(g^2 - 1)^{1/2}/\ln(b/a) \text{ kiloamps}$$

$$= (I_0/2)(g^2 - 1)^{1/2}/\ln(b/a)$$

7.2 Electron Beam/Matter Interaction

Stopping Power and Range

Note that electron beams do not have a well defined stopping point in material. The CSDA range follows the path of an electron ignoring scattering, and is the longest distance an electron can physically travel. The practical range is the linear extrapolation of the depth-dose curve and indicates a point where the electron flux is a few percent of the incident flux. Electron ranges and stopping powers are approximately proportional to the electron density in the medium.

Electron energy (MeV)	CSDA Range in Al. gm/cm ²	Practical Range in Al. g/cm ²
.1	.018	0.009
.5	.25	0.16
1.0	.61	0.42
2.0	1.33	0.95
5.0	3.3	2.40
10.0	6.1	5.0

Radiation production with electron beams

100 ergs/gram = 1 Rad 10 Joules/gram = 1 MRad

For 1-10 MeV Aluminum, 1 mCoulomb/cm² \approx 0.2 megarads on average over the range

X-ray production efficiency

V = beam energy in megavolts
 Z = Target atomic number
 I = Beam current in kiloamperes

(X-ray energy total/Beam energy) = 7(-4)ZV

Dose rate D(rads/sec) at 1 meter directly ahead of the beam

$D = 1.7(6)IV^{2.65}$ for Z = 73

Blackbody Radiation Law

T = Temperature (Kelvin)
 e = Emissivity of surface
 Radiation flux = $5.67(-8)eT^4$ W/m²

7.3 High Power Microwaves

$f(c)$ =frequency (of cutoff)

c =speed of light= 3.0×10^8 m/sec

l_g =waveguide wavelength

$w=2\pi f$

$k=2\pi/l_g$

Frequency Band Designations:

Tri-Service F(Ghz.)	World War II Designation	F(Ghz.)	Designation	Waveguide
0.0-.25	A	.003-.030	HF	
.25-.50	B	.030-.300	VHF	
.50-1.0	C	.300-1.12	UHF	
1.0-2.0	D	1.12-1.76	L	WR650
2.0-3.0	E	1.76-2.60	LS	WR430
3.0-4.0	F	2.60-3.95	S	WR284
4.0-6.0	G	3.95-5.89	C	WR187
6.0-8.0	H	5.89-8.20	XN	WR137
8.0-10.0	I	8.20-12.9	X	WR90
10.0-20.0	J	12.9-18.0	Ku	WR6
20.0-40.0	K	18.0-26.5	K	WR42

Waveguide Relations

$$f^2 = f_c^2 + (c/l_g)^2$$

Rectangular Waveguide, dimensions a, b, a>b

$$l_g = 2a \quad \text{TE}_{01}, \quad l_g = 2a / (1 + (a/b)^2)^{1/2} \quad \text{TE}_{11}, \quad l_g = 2a / (1 + (a/b)^2)^{1/2} \quad \text{TM}_{11},$$

$$l_g = 2a / (1 + (a/2b)^2)^{1/2} \quad \text{TE}_{21}, \quad l_g = 2a / (1 + (a/2b)^2)^{1/2} \quad \text{TM}_{21},$$

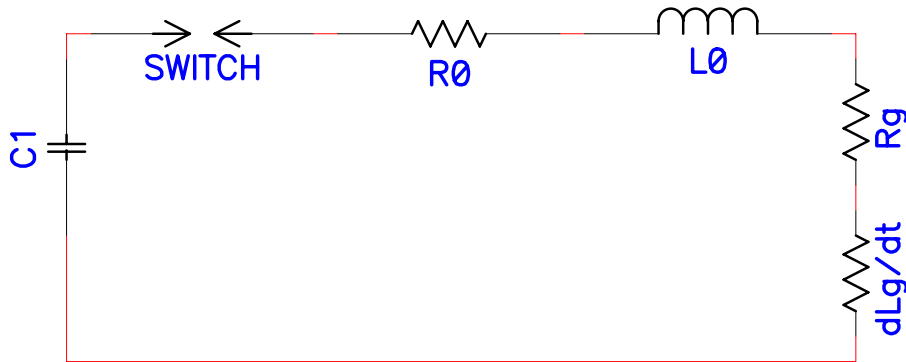
Circular Waveguide, a=radius

$$l_g = 1.640a \quad \text{TE}_{01} \quad l_g = 2.613a \quad \text{TM}_{01}$$

$$l_g = 3.412a \quad \text{TE}_{11} \quad l_g = 1.640a \quad \text{TM}_{11}$$

7.4 Railguns

Capacitor - Driven Rail Gun Circuit



$$\text{Voltage: } (L_o + L_G)d^2q/dt^2 + (R_o + R_G + (dL_G/dx)v)dq/dt + q/C = V_o$$

$$\text{Eq. of Motion: } (m_p + (dm_a/dx)x)d^2x/dt^2 = (1/2)(dL_G/dx)(di/dt)^2 - (dm_a/dx)(dx/dt)^2$$

$$\text{Electrode pressure: } P = (1/2)((dL_G/dx)/A)i^2$$

$$\text{for } dm_a/dx = 0, i = \text{constant: } v = [(dL_G/dx)ix/m_pA]^{1/2}$$

$$R_G = R_{G0} + (dR_G/dx)x$$

$$\text{for } m = 0, i = I \exp(-\alpha t \sin \omega t), L_G = L_{G0} + L_G x$$

- C = driver capacitance
- R_o = driver resistance (fixed)
- L_o = driver inductance (fixed)
- q = charge
- A = cross-sectioned gun area
- dR_G/dx = gun longitudinal resistance gradient
- dL_G/dx = gun longitudinal inductance gradient
- x = Longitudinal distance
- v = Longitudinal projectile relocity
- m_p = projectile mass
- dm_a/dx = longitudinal air mass gradient

Ablation rate constants (Jerall V. Parker, Proceedings at the IEEE 3rd Symposium on Electromagnetic Launch Technology, Austin, TX, 1988)

Gun Mode

Material	Ablation	Vaporization	Erosion (gas - liquid)
Copper	28 g/MJ	118 g/MJ	143 - 1630g/MJ
Tungsten	88	160	185 - 1575
Polyethylene	3.4	25	500 - 6,800
Lexan	5.6	40	
G-10	6.7	40	

7.5 Vacuum Systems

Vacuum Insulation

Except in special cases, vacuum insulation of voltages above a few hundred volts requires a vacuum below 1 millitorr. For consistent results, vacuums below 10^{-4} - 10^{-5} torr are required. Factors such as pulse duration, surface insulator, etc. are quite important.

Conversion Factors

1 Atmosphere = 760 Torr = 760 mm mercury = 1 Bar = 101,323 Pa = 2.48(19) molecules/cc
 1 Pa = 7.53(-3) Torr

Components of Dry Air

N ₂	78.1 %
O ₂	20.9 %
CO ₂	0.33 %
Ar	0.9 %
Ne	18 PPM
He	5 PPM

Water Vapor and Altitude

Typical Water content of air: 1.2 %(50 % RH at 20 C - varies widely)
 Air Pressure at altitude h meters: $P = \exp(-h/7000)$ bar

Mean Free Path

l (mm) = 6.6/P (Pressure in Pascal)

Gas Flow

$$C \text{ (Conductance)} = Q \text{ (throughput)} / (P_{\text{inlet}} - P_{\text{outlet}})$$

$$\text{Combination of conductances } C_1 \text{ and } C_2 \quad 1/C = 1/C_1 + 1/C_2$$

Molecular (high vacuum) flow occurs for Pressure * scale length < 6.6 Pascal - mm

$$\text{Aperture} \quad C_{\text{molecular}} \text{ (Liters/second)} = 11.6A(\text{cm}^2) \text{ where } A \text{ is the aperture area}$$

$$\text{Long Tube} \quad C_{\text{molecular}} \text{ (Liters/second)} = 12d(\text{cm})^3/l(\text{cm}) \text{ where } d \text{ is tube diameter, } l \text{ is length}$$

Viscous (collision limited) flow at higher pressures

$$\text{Long Tube} \quad C_{\text{viscous}} \text{ (Liters/second)} = 90d(\text{cm})^4(P_{\text{inlet}} + P_{\text{outlet}})/l(\text{cm})$$

Monolayer Formation Time

$$t(\text{seconds}) = 2.5(-6)/P(\text{Torr})$$

8.0 DIAGNOSTICS

8.1 Sensitivity of an Unintegrated Square Current Loop

b = outer conductor distance to current source center(m)

a = inner conductor distance to current source center(m)

l = length of current loop(m) parallel to current axis

N = number of turns in the current loop

$$V_{out} = (m_o/N/2\pi) /n(b/a)(dl/dt)$$

Integrated using a passive RC integrator

$$V_{out} = (m_o/N/n(b/a)/2\pi RC)l$$

$$= 2N/(/n(b/a)/RC)l \quad l \text{ is in cm., } I \text{ in kA, RC in msec}$$

R = resistance of the RC integrator

C = capacitance of the RC integrator

RC product in seconds or microseconds as appropriate above

l = current to be measured

8.2 Rogowski Coil

The Rogowski coil consists of N turns wound on a form circular in shape evenly along the major circumference. Each turn has an area A. The major circumference has a radius r, and the output is independent of the relative position of the current flow as long as the winding source is more than 2 turn spacings away from the current source.

r = major radius of the Rogowski coil

$$V_{out} = (m_o NA/2\pi r) dl/dt \quad \text{unintegrated}$$

$$V_{out} = (m_o NA/2\pi r RC)l \quad \text{integrated}$$

$$= (2NA/rRC)l \quad \text{integrated } A(\text{cm}^2), r(\text{cm}), RC(\text{msec}), I(\text{kA})$$

$$= (12.63nA/RC)l \quad \text{integrated } A(\text{cm}^2), RC(\text{msec}), n(\text{cm}^{-1})$$

8.3 Current Transformer

Given appropriate frequency response in the core, a current transformer will give linear output over a wide range of time scales and currents.

- R = total terminating resistance of the measurement circuit
- b = od of square core
- a = id of square core
- l = length of square core
- dB = saturation magnetization of core
- N = number of turns
- μ_0 = Permeability (H/m)

$$V_{out} = (R/N)I$$

$$Z = R/N^2 = \text{insertion impedance of the current transformer}$$

$$t = \mu N^2 / \ln(b/a) / R = \text{exponential decay time of signal}$$

$$I_{max} t_{max} = N^2(b-a) / dB / R$$

The risetime of current transformers is generally determined empirically

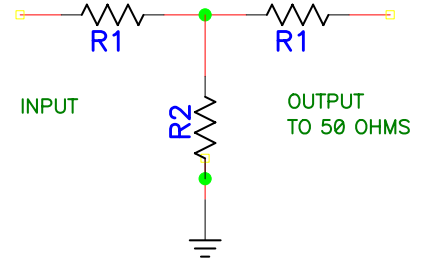
8.4 Attenuators

T-pad type attenuators are commonly used in fixed impedance (typically 50 ohm) systems. We list the general equation for this type of attenuator, and several standard values.

- Z = characteristic impedance
- K = attenuation factor (>1)
= voltage out/voltage in

$$R_1 = Z[1 - 2/(K+1)]$$

$$R_2 = 2ZK/(K^2 - 1) \quad A = 20 \text{ Log}_{10}(K) = 10 \text{ Log}_{10}(\text{Power in/Power out}) = \text{attenuation in db}$$



50 ohm attenuator combinations

K	R ₁	R ₂
2	16.7	66.7
5	33.3	20.8
10	43.9	10.1

9.0 MECHANICAL DATA

9.1 Coarse Screw Threads

Size	Thds. per inch	Major diam. (inches)	Minor diam. (inches)	Lead Angle	
				(deg.)	(min.)
1	64	0.073	0.056	4	31
2	56	0.086	0.067	4	22
3	48	0.099	0.076	4	26
4	40	0.112	0.085	4	45
5	40	0.125	0.098	4	11
6	32	0.138	0.101	4	50
8	32	0.164	0.130	3	58
10	24	0.190	0.145	4	39
12	24	0.216	0.171	4	1
1/4	20	0.250	0.196	4	11
5/16	18	0.313	0.252	3	40
3/8	16	0.375	0.307	3	24
7/16	14	0.438	0.360	3	20
1/2	13	0.500	0.417	3	7
9/16	12	0.563	0.472	2	59
5/8	11	0.625	0.527	2	56
3/4	10	0.750	0.642	2	40
7/8	9	0.875	0.755	2	31
1	8	1.000	0.865	2	29

9.2 Fine Threads

Size	Thds. per inch	Major diam. (inches)	Minor diam. (inches)	Lead Angle	
				(deg.)	(min.)
0	80	0.060	0.465	4	23
1	72	0.073	0.058	3	57
2	64	0.086	0.069	3	45
3	56	0.099	0.080	3	43
4	48	0.112	0.089	3	51
5	44	0.125	0.100	3	45
6	40	0.138	0.111	3	44
8	36	0.164	0.134	3	28
10	32	0.190	0.156	3	21
12	28	0.216	0.177	3	22
1/4	28	0.250	0.211	2	52
5/16	24	0.313	0.267	2	40
3/8	24	0.375	0.330	2	11
7/16	20	0.438	0.338	2	15
1/2	20	0.500	0.446	1	57
9/16	18	0.563	0.502	1	55
5/8	18	0.625	0.565	1	43
3/4	16	0.750	0.682	1	36
7/8	14	0.875	0.798	1	34
1	12	1.000	0.910	1	36

9.3 Deflection of Beams

Rectangular Beams, d=vertical direction, l=length, b=wide direction, all units in inches,
 E=Elastic Modulus (lb/in²)
 W=Weight supported (pounds), h=deflection

<u>Supported at both ends,</u>	Uniform load	$h=5Wl^3/32Ebd^3$
<u>Fixed at both ends,</u>	Uniform load	$h= Wl^3/32Ebd^3$
<u>Supported at both ends,</u>	Center load	$h= Wl^3/4Ebd^3$
<u>Fixed at both ends,</u>	Center load	$h= Wl^3/16Ebd^3$

Deflection of Circular flat plates, R=radius(inches), W=total load (pounds), t=thickness (inches)

<u>Edges supported,</u>	Uniform load	$h=0.221 WR^2/Et^3$
<u>Edges fixed,</u>	Uniform load	$h=0.054 WR^2/Et^3$
<u>Edges supported,</u>	Center load	$h=0.55 WR^2/Et^3$
<u>Edges fixed</u>	Center load	$h=0.22 WR^2/Et^3$

Metric Note: The formulae above also apply if the lengths are in meters, the weights are in kilograms, and the elastic modulus is in kg/m².

Modulus of elasticity and some strengths

(Strengths vary much more widely than elasticity. All critical strengths must be tested!)

Material	Elasticity (Millions of lb/in ²)	Yield (thousands PSI)	Tension Strength (thousands PSI)
Steel, (typical)	30	20 - 210	57 - 220
Steel, Stainless	28	30 - 195	70 - 175
Aluminum (most types)	10.3	4 - 40	10 - 80
Brass (typical)	15	12 - 65	28 - 60
Titanium	16	40 - 120	50 - 135
Acrylic	0.40	-	10.5
Nylon	0.30	-	12.4
Polyimide	0.37	-	26 - 31
Alumina	41	-	57
Wood	1.4 - 2.3		

10.0 REFERENCES

These references are intended to reflect useful references in the field, and they might form a basic library. A short computerized database of references for this formulary is available (for the cost of postage and handling) from North Star Research Corporation.

1. D.L. Book, NRL Plasma Formulary, (Laboratory for Computational Physics, Naval Research Laboratory, Washington, 1983).
2. W.J. Sarjeant and R.E. Dollinger, High Power Electronics, (TAB Books, Blue Ridge Summit, PA, 1989).
3. G.N. Glasoe and J.V. Lebacqz, Pulse Generators, (Dover, New York, N.Y, 1948).
4. H.W. Sams & Co., Reference Data For Radio Engineers, Sixth Edition, (Howard W. Sams & Co., Inc., Indianapolis, Indiana, 1975).
5. C.E. Baum, Dielectric Strength Notes, AFWL Report PEP 5-1, (Air Force Weapons Laboratory, Albuquerque, NM, 1975).
6. E. Oberg, F.D. Jones, and H.H. Horton, Machinery's Handbook, 23rd Edition (Industrial Press, New York, N.Y, 1988).
7. S. Humphries, Jr., Principles of Charged Particle Acceleration, (Wiley, New York, N.Y. 1986).

Errata, and correspondence regarding additional copies, large format copies of the formulary or database disks should be addressed to:

North Star Research Corporation
4421 McLeod, NE, Ste. A
Albuquerque, NM, 87109

Attn: Formulary

Copies from the initial vest pocket printing are free while supplies last, but additional copies, or the related materials may be subject to handling charges.

Fundamental constants:

E.R. Cohen, and B.N. Taylor, Physics Today, 40, BG3 (1989).

References: Solid Breakdown, Reference Data For Radio Engineers, Howard W. Sams & Co. New York, 6th. Edition, 1982. Plastics Reference Handbook, Regal Plastics

Alberox Corp. Tech. Data

Gas Breakdown--Alston (DC)

DC flashover from Hackam

Conductor resistivities, densities, etc. from

Ref. Data Rad. Eng.,
Machinery's Handbook,
Std. Handbook For EE

CSDA Electron Range

L. Pages et. al. Atomic Data Volume 4, p. 1