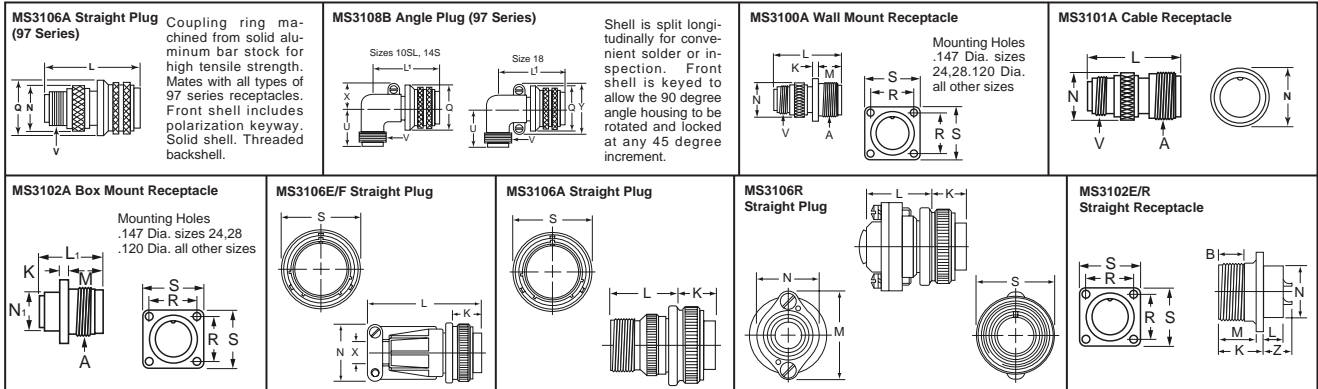


# Amphenol® Circular 97 Series Threaded Connectors with Solder Contacts (MIL-C-5015 Type)

Underwriters Laboratories approved recognition  
File E115497. Canadian Standard Association  
Certification File LR69183

Low cost, general duty, non-environmental MIL-C-5015 type connectors. Available in either A solid or B split shell styles. Used extensively in the machine tool industry, welding industry and numerous other commercial applications. • Single key/keyway polarization • Threaded coupling • Hard dielectric inserts made of diallyl-phthalate • Aluminum alloy components with a conductive cadmium plate finish and olive chromate after-treatment • Contacts are solder type, silver plated with pre-tinned solder cups • Cable clamps are zinc alloy with olive drab/green chromate finish

A



**Insert Patterns (Front face of pin insert shown. Drawings not to scale.)**



**SERVICE RATING:**

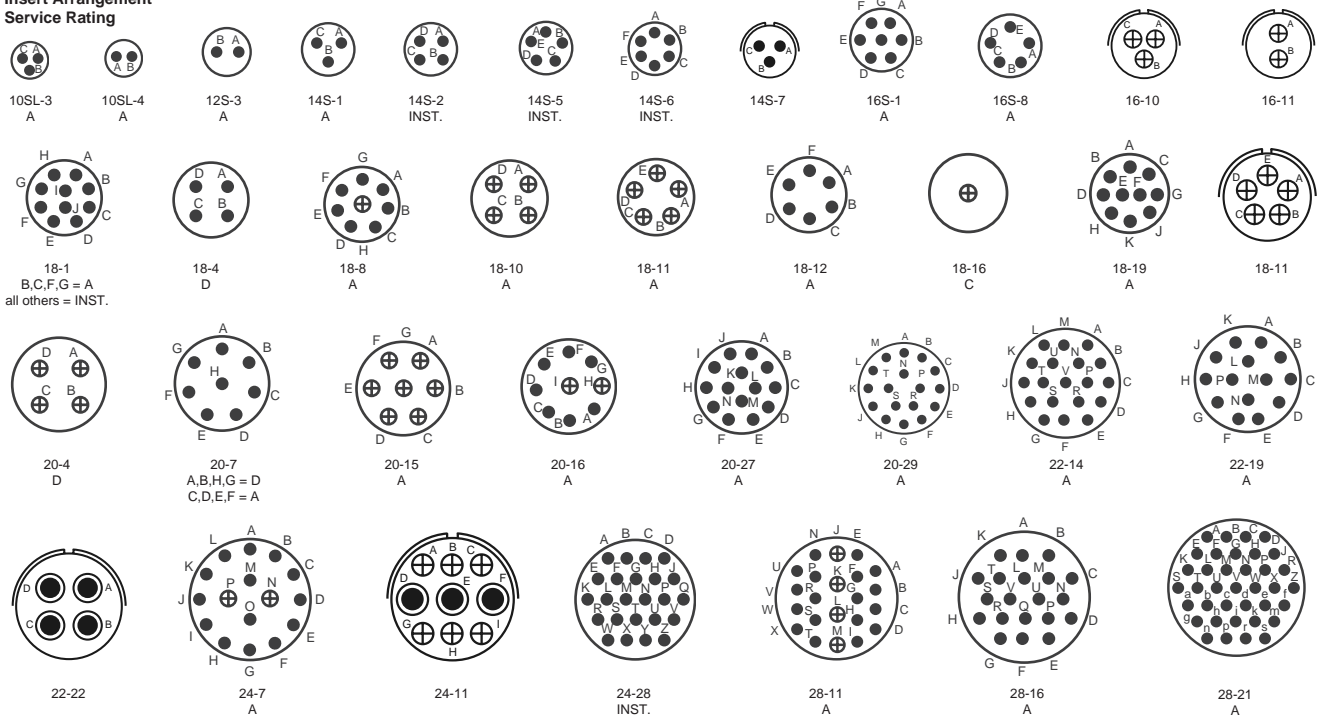
	DC	INST	A	D	E	B	C
Limited Operating Voltages at Sea Level	250	700	1250	1750	2450	4200	
AC(rms)	200	500	900	1250	1750	3000	

TEST CURRENT: Contact Size 16 = 13 amperes. Contact Size 12 = 23 amperes  
NOTE: Transients were not considered in calculating these values.  
NOTE: Limiting operating voltage at 50,000 feet altitude are approx. 25% of the sea level values.

**Panel Opening**



**Insert Arrangement Service Rating**



**97 Series Plugs**

Shell Size/ Insert Arrangement No.	No. of Contacts/ Size	Description	Digi-Key Part No.	Price Each			Dimensions in Inches							Amphenol Part No.	
				1	10	50	L Max.	L1 Max.	N Ref.	Q Max.	U Ref.	V Fitting Thread	X Ref.		Y Ref.
<i>Straight Plugs with Solid Shells</i>															
10SL-3	3/16	Straight Plug w/Socket	97-3106A-10SL-3S-ND	12.00	8.40	6.24	1-3/8	—	3/4	7/8	—	5/8-24	—	—	97-3106A-10SL-3S
10SL-4	2/16	Straight Plug w/Socket	97-3106A-10SL-4S-ND	11.35	7.95	5.91									97-3106A-10SL-4S
12S-3	2/16	Straight Plug w/Pins	97-3106A-12S-3P-ND	10.40	7.28	5.41	1-7/16	—	25/32	1	—	5/8-24	—	—	97-3106A-12S-3P
		Straight Plug w/Socket	97-3106A-12S-3S-ND	11.13	7.79	5.79									97-3106A-12S-3S
14S-1	3/16	Straight Plug w/Pins	97-3106A-14S-1P-ND	10.43	7.30	5.43	1-15/32	—	7/8	1-1/8	—	3/4-20	—	—	97-3106A-14S-1P
		Straight Plug w/Socket	97-3106A-14S-1S-ND	12.30	8.61	6.40									97-3106A-14S-1S
14S-2	4/16	Straight Plug w/Pins	97-3106A-14S-2P-ND	10.38	7.27	5.40	1-15/32	—	7/8	1-1/8	—	3/4-20	—	—	97-3106A-14S-2P
		Straight Plug w/Socket	97-3106A-14S-2S-ND	12.88	9.02	6.70									97-3106A-14S-2S

(Continued)

**More Product Available Online: [www.digikey.com](http://www.digikey.com)**

Toll-Free: 1-800-344-4539 • Phone: 218-681-6674 • Fax: 218-681-3380

## Amphenol® Circular 97 Series Threaded Connectors with Solder Contacts (MIL-C-5015 Type) (Cont.)

Shell Size/ Insert Arrangement No.	No. of Contacts/ Size	Description	Digi-Key Part No.	Price Each			Dimensions in Inches								Amphenol Part No.
				1	10	50	L Max.	L1 Max.	N Ref.	Q Max.	U Ref.	V Fitting Thread	X Ref.	Y Ref.	
14S-5	5/16	Straight Plug w/Pins	97-3106A-14S-5P-ND	11.60	8.12	6.04	1-15/32	—	7/8	1-1/8	—	3/4-20	—	—	97-3106A-14S-5P
		Straight Plug w/Socket	97-3106A-14S-5S-ND	13.83	9.68	7.19									97-3106A-14S-5S
14S-6	6/16	Straight Plug w/Pins	97-3106A-14S-6P-ND	12.03	8.42	6.26	1-15/32	—	1	1-1/4	—	7/8-20	—	—	97-3106A-14S-6P
		Straight Plug w/Socket	97-3106A-14S-6S-ND	13.95	9.77	7.26									97-3106A-14S-6S
16S-1	7/16	Straight Plug w/Pins	97-3106A-16S-1P-ND	12.03	8.42	6.26	1-15/32	—	1	1-1/4	—	7/8-20	—	—	97-3106A-16S-1P
		Straight Plug w/Socket	97-3106A-16S-1S-ND	15.40	10.78	8.01									97-3106A-16S-1S
16S-8	5/16	Straight Plug w/Pins	97-3106A-16S-8P-ND	13.43	9.40	6.99	1-15/32	—	1	1-1/4	—	7/8-20	—	—	97-3106A-16S-8P
		Straight Plug w/Socket	97-3106A-16S-8S-ND	13.93	9.75	7.25									97-3106A-16S-8S
18-1	10/16	Straight Plug w/Pins	97-3106A-18-1P-ND	15.78	11.05	8.21	1-31/32	—	1-1/8	1-11/32	—	1-20	—	—	97-3106A-18-1P
		Straight Plug w/Socket	97-3106A-18-1S-ND	17.45	12.22	9.08									97-3106A-18-1S
18-4	4/16	Straight Plug w/Pins	97-3106A-18-4P-ND	14.60	10.22	7.60	1-31/32	—	1-1/8	1-11/32	—	1-20	—	—	97-3106A-18-4P
		Straight Plug w/Socket	97-3106A-18-4S-ND	15.75	11.03	8.19									97-3106A-18-4S
18-8	4/1#12, 4/7#16	Straight Plug w/Pins	97-3106A-18-8P-ND	17.24	11.26	9.44	1-31/32	—	1-1/8	1-11/32	—	1-20	—	—	97-3106A-18-8P
		Straight Plug w/Socket	97-3106A-18-8S-ND	18.62	12.16	10.20									97-3106A-18-8S
18-10	4/12	Straight Plug w/Pins	97-3106A-18-10P-ND	17.48	12.24	9.09	1-31/32	—	1-1/8	1-11/32	—	1-20	—	—	97-3106A-18-10P
		Straight Plug w/Socket	97-3106A-18-10S-ND	18.62	12.16	10.20									97-3106A-18-10S
18-11	5/12	Straight Plug w/Pins	97-3106A-18-11P-ND	17.48	12.24	9.09	1-31/32	—	1-1/8	1-11/32	—	1-20	—	—	97-3106A-18-11P
		Straight Plug w/Socket	97-3106A-18-11S-ND	17.24	11.26	9.44									97-3106A-18-11S
18-12	6/16	Straight Plug w/Pins	97-3106A-18-12P-ND	14.33	10.03	7.45	1-31/32	—	1-1/8	1-11/32	—	1-20	—	—	97-3106A-18-12P
		Straight Plug w/Socket	97-3106A-18-12S-ND	17.48	12.24	9.09									97-3106A-18-12S
18-16	1/12	Straight Plug w/Pins	97-3106A-18-16P-ND	17.48	12.24	9.09	1-31/32	—	1-1/8	1-11/32	—	1-20	—	—	97-3106A-18-16P
		Straight Plug w/Socket	97-3106A-18-16S-ND	19.64	12.82	10.76									97-3106A-18-16S
18-19	10/16	Straight Plug w/Pins	97-3106A-18-19P-ND	22.52	14.42	12.77	1-31/32	—	1-1/8	1-11/32	—	1-20	—	—	97-3106A-18-19P
		Straight Plug w/Socket	97-3106A-18-19S-ND	19.21	12.54	10.52									97-3106A-18-19S
20-4	4/12	Straight Plug w/Pins	97-3106A-20-4P-ND	20.16	13.16	11.04	1-7/8	—	1-1/4	1-15/32	—	1-3/16-18	—	—	97-3106A-20-4P
		Straight Plug w/Socket	97-3106A-20-4S-ND	26.35	16.87	14.94									97-3106A-20-4S
20-7	8/16	Straight Plug w/Pins	97-3106A-20-7P-ND	20.16	13.16	11.04	1-7/8	—	1-1/4	1-15/32	—	1-3/16-18	—	—	97-3106A-20-7P
		Straight Plug w/Socket	97-3106A-20-7S-ND	21.66	14.14	11.86									97-3106A-20-7S
20-15	7/12	Straight Plug w/Pins	97-3106A-20-15P-ND	22.09	14.42	12.09	1-7/8	—	1-1/4	1-15/32	—	1-3/16-18	—	—	97-3106A-20-15P
		Straight Plug w/Socket	97-3106A-20-15S-ND	27.70	17.73	15.70									97-3106A-20-15S
20-16	9/2#12, 9/7#16	Straight Plug w/Pins	97-3106A-20-16P-ND	22.11	14.44	12.11	1-7/8	—	1-1/4	1-15/32	—	1-3/16-18	—	—	97-3106A-20-16P
		Straight Plug w/Socket	97-3106A-20-16S-ND	22.50	14.40	12.75									97-3106A-20-16S
20-27	14/16	Straight Plug w/Pins	97-3106A-20-27P-ND	19.78	12.92	10.83	1-7/8	—	1-1/4	1-15/32	—	1-3/16-18	—	—	97-3106A-20-27P
		Straight Plug w/Socket	97-3106A-20-27S-ND	23.18	14.84	13.14									97-3106A-20-27S
20-29	17/16	Straight Plug w/Pins	97-3106A-20-29P-ND	21.07	13.75	11.54	1-7/8	—	1-1/4	1-15/32	—	1-3/16-18	—	—	97-3106A-20-29P
		Straight Plug w/Socket	97-3106A-20-29S-ND	25.45	16.29	14.43									97-3106A-20-29S
22-14	19/16	Straight Plug w/Pins	97-3106A-22-14P-ND	24.05	15.40	13.63	1-31/32	—	1-3/8	1-19/32	—	1-3/16-18	—	—	97-3106A-22-14P
		Straight Plug w/Socket	97-3106A-22-14S-ND	27.32	17.49	15.48									97-3106A-22-14S
22-19	14/16	Straight Plug w/Pins	97-3106A-22-19P-ND	23.58	15.10	13.37	1-31/32	—	1-3/8	1-19/32	—	1-3/16-18	—	—	97-3106A-22-19P
		Straight Plug w/Socket	97-3106A-22-19S-ND	24.05	15.40	13.63									97-3106A-22-19S
24-7	16/2 #12, 16/14 #16	Straight Plug w/Pins	97-3106A-24-7P-ND	28.46	18.22	16.13	2-1/4	—	1-1/2	1-23/32	—	1-7/16-18	—	—	97-3106A-24-7P
		Straight Plug w/Socket	97-3106A-24-7S-ND	30.83	19.73	17.47									97-3106A-24-7S
24-28	24/16	Straight Plug w/Pins	97-3106A-24-28P-ND	29.77	19.06	16.87	2-1/4	—	1-1/2	1-23/32	—	1-7/16-18	—	—	97-3106A-24-28P
		Straight Plug w/Socket	97-3106A-24-28S-ND	33.71	21.58	19.10									97-3106A-24-28S
28-11	22/4#12, 22/18#16	Straight Plug w/Pins	97-3106A-28-11P-ND	32.27	20.65	18.29	2-1/4	—	1-3/4	1-31/32	—	1-7/16-18	—	—	97-3106A-28-11P
		Straight Plug w/Socket	97-3106A-28-11S-ND	34.66	24.27	21.67									97-3106A-28-11S
28-16	20/16	Straight Plug w/Pins	97-3106A-28-16P-ND	33.23	21.27	18.84	2-1/4	—	1-3/4	1-31/32	—	1-7/16-18	—	—	97-3106A-28-16P
		Straight Plug w/Socket	97-3106A-28-16S-ND	33.66	21.55	19.08									97-3106A-28-16S
28-21	37/16	Straight Plug w/Pins	97-3106A-28-21P-ND	34.54	24.18	21.59	2-1/4	—	1-3/4	1-31/32	—	1-7/16-18	—	—	97-3106A-28-21P
		Straight Plug w/Socket	97-3106A-28-21S-ND	38.94	27.26	24.34									97-3106A-28-21S
<i>Angle Plugs with Split Shell</i>															
10SL-3	3/16	Angle Plug w/Socket	97-3108B-10SL-3S-ND	16.03	11.22	8.34	—	1-1/2	—	7/8	1	5/8-24	—	—	97-3108B-10SL-3S
10SL-4	2/16	Angle Plug w/Socket	97-3108B-10SL-4S-ND	15.30	10.71	7.96									97-3108B-10SL-4S
14S-1	3/16	Angle Plug w/Pins	97-3108B-14S-1P-ND	13.93	9.75	7.25	—	1-23/32	—	1-1/8	1-1/16	3/4-20	21/32	—	97-3108B-14S-1P
		Angle Plug w/Socket	97-3108B-14S-1S-ND	14.28	10.00	7.43									97-3108B-14S-1S
14S-2	4/16	Angle Plug w/Pins	97-3108B-14S-2P-ND	13.80	9.66	7.18	—	1-23/32	—	1-1/8	1-1/16	3/4-20	21/32	—	97-3108B-14S-2P
		Angle Plug w/Socket	97-3108B-14S-2S-ND	14.90	10.43	7.75									97-3108B-14S-2S
14S-5	5/16	Angle Plug w/Pins	97-3108B-14S-5P-ND	15.13	10.59	7.87	—	1-23/32	—	1-1/8	1-1/16	3/4-20	21/32	—	97-3108B-14S-5P
		Angle Plug w/Socket	97-3108B-14S-5S-ND	15.55	10.89	8.09									97-3108B-14S-5S
14S-6	6/16	Angle Plug w/Pins	97-3108B-14S-6P-ND	15.55	10.89	8.09	—	1-23/32	—	1-1/8	1-1/16	3/4-20	21/32	—	97-3108B-14S-6P
		Angle Plug w/Socket	97-3108B-14S-6S-ND	15.98	11.19	8.31									97-3108B-14S-6S
18-1	10/16	Angle Plug w/Pins	97-3108B-18-1P-ND	22.02	14.37	12.06	—	2-5/32	—	1-11/32	1-3/16	1-20	1-41/64	1-41/64	97-3108B-18-1P
		Angle Plug w/Socket	97-3108B-18-1S-ND	24.08	15.41	13.65									97-3108B-18-1S
18-4	4/16	Angle Plug w/Pins	97-3108B-18-4P-ND	18.50	12.08	10.13	—	2-5/32	—	1-11/32	1-3/16	1-20	1-41/64	1-41/64	97-3108B-18-4P
		Angle Plug w/Socket	97-3108B-18-4S-ND	19.74	12.89	10.81									97-3108B-18-4S

(Continued)

**More Product Available Online: [www.digikey.com](http://www.digikey.com)**

**Toll-Free: 1-800-344-4539 • Phone: 218-681-6674 • Fax: 218-681-3380**

**(7032) 195**

**Amphenol® Circular 97 Series Threaded Connectors with Solder Contacts (MIL-C-5015 Type) (Cont.)**

Shell Size/ Insert Arrangement No.	No. of Contacts/ Size	Description	Digi-Key Part No.	Price Each			Dimensions in Inches							Amphenol Part No.	
				1	10	50	L Max.	L1 Max.	N Ref.	Q Max.	U Ref.	V Fitting Thread	X Ref.		Y Ref.
18-8	4/1#12, 4/7#16	Angle Plug w/Pins	97-3108B-18-8P-ND	22.02	14.37	12.06									97-3108B-18-8P
		Angle Plug w/Socket	97-3108B-18-8S-ND	23.39	15.27	12.81									97-3108B-18-8S
18-10	4/12	Angle Plug w/Pins	97-3108B-18-10P-ND	21.38	13.95	11.70									97-3108B-18-10P
		Angle Plug w/Socket	97-3108B-18-10S-ND	23.39	15.27	12.81									97-3108B-18-10S
18-11	5/12	Angle Plug w/Pins	97-3108B-18-11P-ND	21.38	13.95	11.70		2-5/32		1-11/32	1-3/16	1-20	1-41/64	1-41/64	97-3108B-18-11P
		Angle Plug w/Socket	97-3108B-18-11S-ND	22.02	14.37	12.06									97-3108B-18-11S
18-12	6/16	Angle Plug w/Pins	97-3108B-18-12P-ND	20.26	13.23	11.09									97-3108B-18-12P
		Angle Plug w/Socket	97-3108B-18-12S-ND	21.38	13.95	11.70									97-3108B-18-12S
18-16	1/12	Angle Plug w/Pins	97-3108B-18-16P-ND	22.04	14.39	12.07									97-3108B-18-16P
		Angle Plug w/Socket	97-3108B-18-16S-ND	24.10	15.43	13.66									97-3108B-18-16S
18-19	10/16	Angle Plug w/Pins	97-3108B-18-19P-ND	27.14	17.37	15.38									97-3108B-18-19P
		Angle Plug w/Socket	97-3108B-18-19S-ND	22.70	14.53	12.87									97-3108B-18-19S

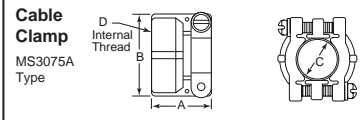
**Amphenol® MS/Standard Cylindrical with Solder Contacts (MIL-C-5015 Series 1 Type)**

Shell Size/ Insert Arrangement No.	No. of Contacts/ Size	Description	Digi-Key Part No.	Price Each			Dimensions in Inches												Amphenol Part No.
				1	10	50	B Min Full Thread	K	L	M	N Dia.	R	S	X Min Cable Dim.	Z				
10SL-3	3/16	Plug w/Socket	MS3106E-10SL-3S-ND*	14.70	10.29	7.65	—	.531	2.129	—	.896	—	.946	.281	—	MS3106E-10SL-30S			
		Plug w/Socket	MS3106F-10SL-3S-ND†	16.70	11.69	8.69	—	.531	2.129	—	.896	—	.946	.281	—	MS3106F-10SL-3S			
		Plug w/Socket	MS3106R-10SL-3S-ND‡	15.25	10.68	7.93	—	.531	1.057	1.120	.807	—	.946	—	—	MS3106R-10SL-3S			
		Recept. w/Pins	MS3102E-10SL-3P-ND*	7.24	4.11	3.03	.391	.672	.297	.562	.625	.719	1.000	—	.422	MS3102E-10SL-3P			
		Recept. w/Pins	MS3102R-10SL-3P-ND‡	6.47	3.67	2.71	.391	.672	.297	.562	.625	.719	1.000	—	.422	MS3102R-10SL-3P			
10SL-4	2/16	Plug w/Socket	MS3106A-10SL-4S-ND	15.08	10.56	7.84	—	.531	.937	—	—	—	.946	—	—	MS3106A-10SL-4S			
		Plug w/Socket	MS3106E-10SL-4S-ND*	16.78	11.75	8.73	—	.531	2.129	—	.896	—	.946	.281	—	MS3106E-10SL-4S			
		Plug w/Socket	MS3106F-10SL-4S-ND†	14.88	10.42	7.74	—	.531	2.129	—	.896	—	.946	.281	—	MS3106F-10SL-4S			
		Recept. w/Pins	MS3102E-10SL-4P-ND*	6.60	3.75	2.76	.391	.672	.297	.562	.625	.719	1.000	—	.422	MS3102E-10SL-4P			
		Recept. w/Pins	MS3102R-10SL-4P-ND‡	5.86	3.33	2.45	.391	.672	.297	.562	.625	.719	1.000	—	.422	MS3102R-10SL-4P			
14S-2	4/16	Plug w/Pins	MS3106F-14S-2P-ND†	12.80	8.96	6.66	—	.531	2.201	—	1.021	—	1.123	.406	—	MS3106F-14S-2P			
		Plug w/Socket	MS3106A-14S-2S-ND	11.70	8.19	6.09	—	.531	.937	—	—	—	1.123	—	—	MS3106A-14S-2S			
		Plug w/Socket	MS3106F-14S-2S-ND†	16.91	11.04	9.26	—	.531	2.201	—	1.021	—	1.123	.406	—	MS3106F-14S-2S			
		Recept. w/Pins	MS3102E-14S-2P-ND*	8.82	5.30	4.12	.450	.672	.297	.562	.750	.906	1.188	—	.422	MS3102E-14S-2P			
		Recept. w/Socket	MS3102R-14S-2S-ND‡	8.74	4.96	3.66	.450	.672	.297	.562	.750	.906	1.188	—	.422	MS3102R-14S-2S			
		Recept. w/Pins	MS3102R-14S-2P-ND‡	5.93	3.37	2.48	.450	.672	.297	.562	.750	.906	1.188	—	.422	MS3102R-14S-2P			
		Recept. w/Socket	MS3102R-14S-2S-ND‡	8.84	5.02	3.70	.450	.672	.297	.562	.750	.906	1.188	—	.422	MS3102R-14S-2S			
14S-5	5/16	Plug w/Pins	MS3106A-14S-5P-ND	11.58	8.11	6.02	—	.531	.937	—	—	—	1.123	—	—	MS3106A-14S-5P			
		Plug w/Socket	MS3106A-14S-5S-ND	13.00	9.10	6.76	—	.531	.937	—	—	—	1.123	—	—	MS3106A-14S-5S			
		Recept. w/Pins	MS3102E-14S-5P-ND*	7.67	4.36	3.21	.450	.672	.297	.562	.750	.906	1.188	—	.422	MS3102E-14S-5P			
		Recept. w/Pins	MS3102R-14S-5P-ND‡	9.08	5.15	3.80	.450	.672	.297	.562	.750	.906	1.188	—	.422	MS3102R-14S-5P			
14S-6	6/16	Plug w/Socket	MS3106A-14S-6S-ND	13.00	9.10	6.76	—	.531	.937	—	—	—	1.123	—	—	MS3106A-14S-6S			
		Plug w/Socket	MS3106F-14S-6S-ND†	16.80	11.76	8.74	—	.531	2.201	—	1.021	—	1.123	.406	—	MS3106F-14S-6S			
		Recept. w/Pins	MS3102E-14S-6P-ND*	7.84	4.45	3.28	.450	.672	.297	.562	.750	.906	1.188	—	.422	MS3102E-14S-6P			
		Recept. w/Socket	MS3102E-14S-6S-ND*	9.84	5.91	4.60	.450	.672	.297	.562	.750	.906	1.188	—	.422	MS3102E-14S-6S			
		Recept. w/Pins	MS3102R-14S-6P-ND‡	5.49	3.12	2.30	.450	.672	.297	.562	.750	.906	1.188	—	.422	MS3102R-14S-6P			
14S-7	3/16	Plug w/Socket	MS3106F-14S-7S-ND†	17.05	11.13	9.34	—	.531	2.201	—	1.021	—	1.123	.406	—	MS3106F-14S-7S			
16S-1	7/16	Plug w/Socket	MS3106A-16S-1S-ND	15.48	10.84	8.05	—	.531	.937	—	—	—	1.250	—	—	MS3106A-16S-1S			
		Plug w/Socket	MS3106F-16S-1S-ND†	23.18	15.13	12.69	—	.531	2.201	—	1.151	—	1.250	.500	—	MS3106F-16S-1S			
		Recept. w/Pins	MS3102E-16S-1P-ND*	8.49	5.10	3.97	.450	.672	.297	.562	.875	.969	1.281	—	.422	MS3102E-16S-1P			
		Recept. w/Pins	MS3102R-16S-1P-ND‡	6.80	3.86	2.85	.450	.672	.297	.562	.875	.969	1.281	—	.422	MS3102R-16S-1P			
16-10	3/12	Plug w/Socket	MS3106A-16-10S-ND	16.53	11.57	8.60	—	.719	1.124	—	—	—	1.250	—	—	MS3106A-16-10S			
		Plug w/Socket	MS3106F-16-10S-ND†	23.00	14.72	13.04	—	.719	2.524	—	1.151	—	1.250	.500	—	MS3106F-16-10S			
16-11	2/12	Recept. w/Pins	MS3102R-16-11P-ND‡	6.83	3.88	2.86	.625	.860	.484	.750	.875	.969	1.281	—	.672	MS3102R-16-11P			
18-1	10/16	Recept. w/Pins	MS3102E-18-1P-ND*	10.20	6.12	4.76	.625	.891	.453	.750	1.000	1.062	1.375	—	.641§	MS3102E-18-1P			
		Recept. w/Pins	MS3102R-18-1P-ND‡	10.14	6.09	4.74	.625	.891	.453	.750	1.000	1.062	1.375	—	.641§	MS3102R-18-1P			
		Plug w/Socket	MS3106A-18-1S-ND	18.12	11.83	9.92	—	.719	1.219	—	—	—	1.333	—	—	MS3106A-18-1S			
18-11	5/12	Recept. w/Pins	MS3102E-18-11P-ND*	8.68	4.93	3.63	.625	.891	.453	.750	1.000	1.062	1.375	—	.641§	MS3102E-18-11P			
20-27	14/16	Recept. w/Pins	MS3102R-20-27P-ND‡	10.80	6.48	5.04	.625	.891	.453	.750	1.125	1.156	1.500	—	.641§	MS3102R-20-27P			
22-14	19/16	Recept. w/Pins	MS3102E-22-14P-ND*	11.43	6.86	5.34	.625	.891	.453	.750	1.250	1.250	1.625	—	.641§	MS3102E-22-14P			
22-19	14/16	Recept. w/Socket	MS3102E-22-19S-ND*	12.00	8.40	6.24	.625	.891	.453	.750	1.250	1.250	1.625	—	.641§	MS3102E-22-19S			
22-22	4/8	Recept. w/Pins	MS3102E-22-22P-ND*	14.90	10.43	7.75	.625	.891	.453	.750	1.250	1.250	1.625	—	.641§	MS3102E-22-22P			
24-11	3/#8 6/#12 3/#8 6/#12	Recept. w/Pins	MS3102R-24-11P-ND‡	11.65	8.16	6.06	.625	.953	.453	.812	1.375	1.375	1.750	—	.578§	MS3102R-24-11P			
		Plug w/Socket	MS3106R-24-11S-ND‡	23.83	15.25	13.51	—	.719	1.291	1.994	1.557	—	1.715	—	—	MS3106R-24-11S			

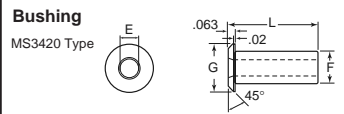
\* Environmental resisting  
 † Environmental resisting with strain relief (MS part number only)  
 ‡ Lightweight environmental resisting  
 § Increase Z dimension by .312 for size "0" contact only.

**More Product Available Online: [www.digikey.com](http://www.digikey.com)**  
**Toll-Free: 1-800-344-4539 • Phone: 218-681-6674 • Fax: 218-681-3380**

# Amphenol<sup>®</sup> Accessories For 97 Series Connectors



For jacketed cable or wires protected by tubing. Both clamping halves float for maximum strain relief. For unjacketed cable or wires, use corresponding MS3420 bushing. Clamp and bushing can be ordered together. Two telescoping bushings are furnished with shell sizes 24 and larger.



Rubber bushing specifically designed for MS3075A type cable clamp. Can also be used as a reducing bushing. Order separately or with cable clamp.

**A**

Shell Size	Max. O.D. Cable	Description	Digi-Key Part No.	Price Each			Dimensions in Inches										Amphenol Part No.	
				1	10	50	A	B	C Dia.	D. Internal Thread	E	F	G	L				
10SL, 12S	5/16	Cable Clamp	97-3057-1004-ND	5.76	3.27	2.41	.795	.842	5/16	5/8-24	—	—	—	—	—	—	—	97-3057-1004
		Bushing	97-79-513-3-ND	1.12	.67	.44	—	—	—	—	.130	.210	.374	2.875	—	—	—	9779-513-3
		Cable Clamp w/Bushing	97-3057-1004-1-ND*	7.00	3.98	2.93	.795	.842	5/16	5/8-24	.220	.302	.500	2.750	—	—	—	97-3057-1004-1*
12SL, 14S	7/16	Cable Clamp	97-3057-1007-ND	5.58	3.34	2.18	.850	.995	7/16	3/4-20	—	—	—	—	—	—	—	97-3057-1007
		Bushing	97-79-513-6-ND	1.27	.76	.50	—	—	—	—	.312	.427	.614	2.625	—	—	—	9779-513-6
		Cable Clamp w/Bushing	97-3057-1007-1-ND	7.07	4.01	2.96	.850	.995	7/16	3/4-20	.312	.427	.614	2.625	—	—	—	97-3057-1007-1*
16, 16S	9/16	Cable Clamp	97-3057-1008-ND	6.40	3.63	2.68	.920	1.120	9/16	7/8-20	—	—	—	—	—	—	—	97-3057-1008-1*
		Bushing	97-79-513-8-ND	1.04	.63	.41	—	—	—	—	.437	.552	.739	2.500	—	—	—	9779-513-8
		Cable Clamp w/Bushing	97-3057-1008-1-ND	7.47	4.24	3.13	.920	1.120	9/16	7/8-20	.437	.552	.739	2.500	—	—	—	97-3057-1008-1*
18	5/8	Cable Clamp	97-3057-1010-ND	5.43	3.08	2.27	.920	1.216	5/8	1-20	—	—	—	—	—	—	—	97-3057-1010
		Bushing	97-79-513-10-ND	1.12	.67	.44	—	—	—	—	.562	.615	.889	2.375	—	—	—	9779-513-10
		Cable Clamp w/Bushing	97-3057-1010-1-ND	6.37	3.61	2.66	.920	1.216	5/8	1-20	.562	.615	.889	2.375	—	—	—	97-3057-1010-1*
20, 22	3/4	Cable Clamp	97-3057-1012-ND	5.43	3.08	2.27	.927	1.403	3/4	1-3/16-18	—	—	—	—	—	—	—	9779-513-12
		Bushing	97-79-513-12-ND	1.23	.74	.48	—	—	—	—	.625	.740	1.084	2.250	—	—	—	9779-513-12
		Cable Clamp w/Bushing	97-3057-1012-1-ND	6.50	3.69	2.72	.927	1.403	3/4	1-3/16-18	.625	.740	1.084	2.250	—	—	—	97-3057-1012-1*
24, 28	15/16	Cable Clamp	97-3057-1016-ND	5.90	3.35	2.47	1.015	1.683	15/16	1-7/16-18	—	—	—	—	—	—	—	97-3057-1016**
		Bushing	97-79-513-12-ND	1.23	.74	.48	—	—	—	—	.625	.740	1.084	2.250	—	—	—	9779-513-12
		Cable Clamp w/Bushing	97-3057-1016-1-ND**	8.38	4.75	3.50	1.015	1.683	15/16	1-7/16-18	.750	.927	1.309	2.125	—	—	—	9779-513-16

\* When Clamp and bushing are ordered together for shell sizes 10SL and 12S, bushing 97-79-513-4 will be furnished.  
\*\*Two telescoping bushings (97-79-513-12 and 97-79-513-16) are furnished with each cable clamp for shell sizes 24 and 28.

## 97 Series Receptacles

Shell Size	Insert Arrangement	No. of Contacts/Size	Description	Digi-Key Part No.	Price Each			Dimensions in Inches															Amphenol Part No.
					1	10	50	A	K	L	L1	M	N	N1	O	R	S	V					
<i>Receptacles With Solid Shells</i>																							
10SL-3	3/16	3	Cable recept. w/pins	97-3101A-10SL-3P-ND	14.08	8.66	7.32	—	—	—	—	—	—	—	—	—	—	—	—	97-3101A-10SL-3P			
10SL-4	2/16	4	Box mount recept. w/pins	97-3101A-10SL-4P-ND	13.43	9.40	6.99	5/8-24	5/64	1-9/32	61/64	9/16	3/4	11/16	.812	23/32	1	5/8-24	97-3101A-10SL-4P				
12S-3	2/16	3	Box mount recept. w/sockets	97-3102A-12S-3S-ND	8.27	4.70	3.46	3/4-20	5/64	1-15/32	31/32	9/16	25/32	11/16	.812	13/16	1-3/32	5/8-24	97-3102A-12S-3S				
14S-1	3/16	1	Wall mount recept. w/socket	97-3100A-14S-1P-ND	12.00	8.40	6.24	—	—	—	—	—	—	—	—	—	—	—	97-3100A-14S-1P				
14S-2	4/16	2	Wall mount recept. w/socket	97-3100A-14S-2S-ND	12.58	8.81	6.54	—	—	—	—	—	—	—	—	—	—	—	97-3100A-14S-2S				
14S-5	5/16	5	Wall mount recept. w/socket	97-3101A-14S-5P-ND	15.55	10.89	8.09	7/8-20	5/64	1-15/32	61/64	9/16	7/8	3/4	.938	29/32	1-3/16	3/4-20	97-3101A-14S-5P				
14S-6	6/16	6	Wall mount recept. w/socket	97-3101A-14S-6P-ND	16.55	11.59	8.61	—	—	—	—	—	—	—	—	—	—	—	97-3101A-14S-6P				
16S-1	7/16	1	Box mount recept. w/socket	97-3102A-16S-1P-ND	11.87	7.01	5.45	—	—	—	—	—	—	—	—	—	—	—	97-3102A-16S-1P				
16S-8	5/16	8	Box mount recept. w/socket	97-3102A-16S-8P-ND	11.52	6.92	5.38	1-20	5/64	1-15/32	61/64	9/16	1	7/8	1.062	31/32	1-9/32	7/8-20	97-3102A-16S-8P				
18-1	10/16	1	Box mount recept. w/socket	97-3102A-18-1S-ND	13.25	9.28	6.89	—	—	—	—	—	—	—	—	—	—	—	97-3102A-18-1S				
18-4	4/16	4	Box mount recept. w/socket	97-3102A-18-4S-ND	11.52	6.92	5.38	—	—	—	—	—	—	—	—	—	—	—	97-3102A-18-4S				
18-8	4/7#12, 4/7#16	8	Box mount recept. w/socket	97-3102A-18-8S-ND	13.25	9.28	6.89	—	—	—	—	—	—	—	—	—	—	—	97-3102A-18-8S				
18-10	4/12	10	Box mount recept. w/socket	97-3102A-18-10S-ND	14.48	10.14	7.53	—	—	—	—	—	—	—	—	—	—	—	97-3102A-18-10S				
18-11	5/12	11	Box mount recept. w/socket	97-3102A-18-11S-ND	11.53	8.07	6.00	1-1/8-18	1/8	1-63/64	1-3/8	3/4	1-1/8	1	1.188	1-1/16	1-3/8	1-20	97-3102A-18-11S				
18-12	6/16	12	Box mount recept. w/socket	97-3102A-18-12P-ND	11.20	7.84	5.83	—	—	—	—	—	—	—	—	—	—	—	97-3102A-18-12P				
18-16	1/12	16	Box mount recept. w/socket	97-3102A-18-16S-ND	11.73	8.21	6.10	—	—	—	—	—	—	—	—	—	—	—	97-3102A-18-16S				
18-19	10/16	19	Box mount recept. w/socket	97-3102A-18-19S-ND	13.05	9.14	6.79	—	—	—	—	—	—	—	—	—	—	—	97-3102A-18-19S				
20-4	4/12	4	Box mount recept. w/socket	97-3102A-20-4P-ND	12.00	8.40	6.24	—	—	—	—	—	—	—	—	—	—	—	97-3102A-20-4P				
20-7	8/16	7	Box mount recept. w/socket	97-3102A-20-7P-ND	12.00	8.40	6.24	—	—	—	—	—	—	—	—	—	—	—	97-3102A-20-7P				
20-15	7/12	15	Box mount recept. w/socket	97-3102A-20-15P-ND	16.05	11.24	8.35	—	—	—	—	—	—	—	—	—	—	—	97-3102A-20-15P				
20-16	9/2#12, 9/7#16	16	Box mount recept. w/socket	97-3102A-20-16P-ND	14.48	10.14	7.53	1-1/4-18	1/8	1-57/64	1-3/8	3/4	1-1/4	1-1/8	1.312	1-5/32	1-1/2	1-3/16-18	97-3102A-20-16P				
20-27	14/16	27	Box mount recept. w/socket	97-3102A-20-27P-ND	14.78	10.35	7.69	—	—	—	—	—	—	—	—	—	—	—	97-3102A-20-27P				
20-29	17/16	29	Box mount recept. w/socket	97-3102A-20-29S-ND	16.60	11.62	8.64	—	—	—	—	—	—	—	—	—	—	—	97-3102A-20-29S				
22-14	19/16	14	Box mount recept. w/socket	97-3102A-22-14P-ND	17.24	11.26	9.44	—	—	—	—	—	—	—	—	—	—	—	97-3102A-22-14P				
22-19	14/16	19	Box mount recept. w/socket	97-3102A-22-19S-ND	16.91	11.04	9.26	—	—	—	—	—	—	—	—	—	—	—	97-3102A-22-19S				
24-7	16/2#12, 16/14#16	7	Box mount recept. w/socket	97-3102A-24-7P-ND	20.28	13.24	11.11	1-1/2-18	1/8	2-1/4	1-3/8	13/16	1-1/2	1-3/8	1.562	1-3/8	1-3/4	1-7/16-18	97-3102A-24-7P				
24-28	24/16	28	Box mount recept. w/socket	97-3102A-24-28P-ND	22.06	14.40	12.08	—	—	—	—	—	—	—	—	—	—	—	97-3102A-24-28P				
28-11	22/4#12, 22/18#16	11	Box mount recept. w/socket	97-3102A-28-11P-ND	22.93	14.68	13.00	—	—	—	—	—	—	—	—	—	—	—	97-3102A-28-11P				
28-16	20/16	16	Box mount recept. w/socket	97-3102A-28-16S-ND	24.05	15.40	13.63	—	—	—	—	—	—	—	—	—	—	—	97-3102A-28-16S				
28-21	37/16	21	Box mount recept. w/socket	97-3102A-28-21P-ND	29.27	18.74	16.59	—	—	—	—	—	—	—	—	—	—	—	97-3102A-28-21P				

**More Product Available Online: [www.digikey.com](http://www.digikey.com)**

Toll-Free: 1-800-344-4539 • Phone: 218-681-6674 • Fax: 218-681-3380

(7032) 197