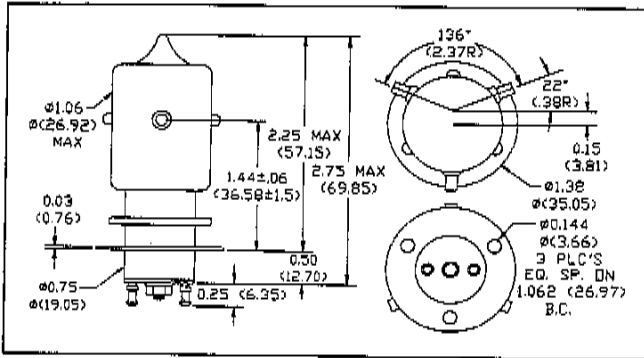


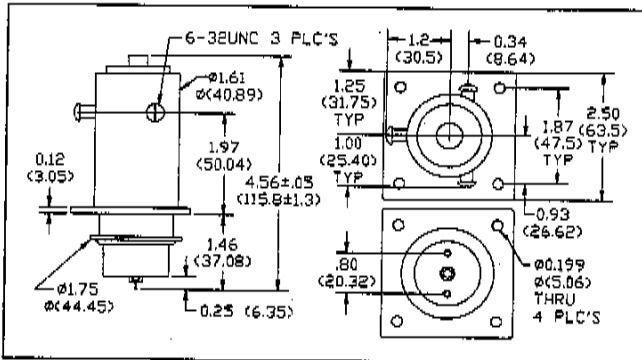
Jennings

SPDT Vacuum Relays

ok



- **RB1D-26N300**
Form C, Excellent RF voltage & current ratings. N400 heavy duty connectors available. Flange mount.
- **RB1E-26N300**
Thread mount version of RB1D.



- **RF10B-26S**
Form C, ground isolated relay. Excellent performance for both dc and RF circuits. Cont. Current to 10 A at 16 MHz. Interrupts 45 kW (9 kV or 5 A max.) Flange mount.

Military Specification	Military Drawing	Model Number
MIL-R-83725	M83725/1-004	RB1D-26S
MIL-R-83725	M83725/1-005	RB1D-26N300
MIL-R-83725	M83725/1-006	RB1D-26N400
MIL-R-83725	M83725/1-001	RB1E-26S
MIL-R-83725	M83725/1-002	RB1E-26N300
MIL-R-83725	M83725/1-003	RB1E-26N400
MIL-R-83725	M83725/15-001	RF10B-6S
MIL-R-83725	M83725/15-002	RF10B-12S
MIL-R-83725	M83725/15-003	RF10B-26S
MIL-R-83725	M83725/15-004	RF10B-48S
MIL-R-83725	M83725/15-005	RF10B-115S

Model Number	Optional Coils		
	6 Vdc	48 Vdc	115 Vdc
	Coil Resistance ($\Omega \pm 10\%$)		
RB1D	10.2	614	3450
RB1E	10.2	614	3450
RF10B	12.0	735	3900

Specifications

Model Number	RB1D RB1E	RF10B
Test Voltage (kV Peak) 60 Hz	18	20
Rated Operating Voltage (kV Peak)		
dc or 60 Hz	12	15
2.5 MHz	10	13
16 MHz	8	10
32 MHz	5	8
Continuous Current, Carry (A, RMS)		
dc or 60 Hz	15	75
2.5 MHz	10	22
16 MHz	6	15
32 MHz	4	12
Contact Capacitance (pF)		
Between Open Contacts	.5	1.8
Open Contacts to Ground	1.0	1.5
Contact Resistance (m Ω)	12	12
Operate Time (ms. Max.)	18	30
Release Time (ms. Max.)	8	10
Pull-in Voltage @ 25° C, 26.5 Vdc Coil	16	16
Dropout Voltage @ -55 to 125° C, 26.5 Vdc Coil	1-10	1-10
Coil Resistance ($\Omega \pm 10\%$) 26.5 Vdc Coil	265	225
Shock, 1/2 Sine 11 ms. (Peak g's)	30	30
Vibration, Peak g's		
55-500 Hz	10	5
55-1000 Hz	5	-
55-2000 Hz	5	-
Expected Mechanical Life Cycles (X10 ⁶)	1	.1
Weight, Ounces (Grams) Max.	3 (85)	16 (453)